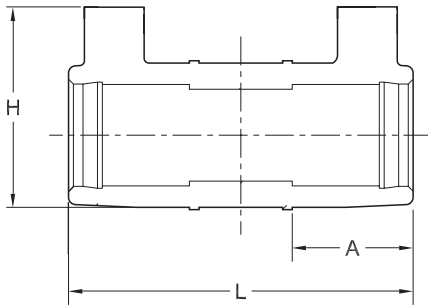
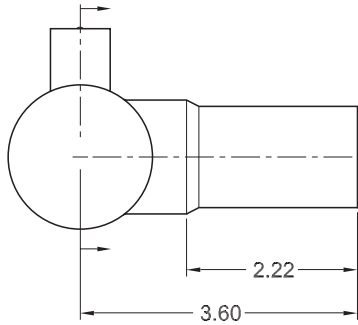


# Electrofusion Fittings: Tees



**EF TEE DIMENSIONS**

Nominal Size	H	L	A
3/4" x 3/4" x 1/2"	2.45	3.90	1.36
3/4" IPS	2.45	3.90	1.36
1" IPS	2.60	4.47	1.57
1 1/4" IPS	3.00	5.24	1.82
2" IPS	3.95	6.51	2.26

**(PE 2406/PE2708) ELECTROFUSION TEES**

Size	Description	Pin Type	Part No.	Pack. Qty.	Wt.	CSA
3/4" IPS	ASTM D2513/F1055/D3261	4.7 R	5757077	20	0.28	-

**(PE3408/PE4710) ELECTROFUSION TEES**

Size	Description	Pin Type	Part Number	Pack. Qty.	Wt.	AWWA
3/4" IPS	ASTM D2513/F1055/D3261	4.7 R	10004638	40	0.29	YES
1" IPS	ASTM D2513/F1055/D3261	4.7 R	5751589	100	0.21	-
1 1/4" IPS	ASTM D2513/F1055/D3261	4.7 R	5751588	32	0.39	-
2" IPS	ASTM D2513/F1055/D3261	4.7 R	5751587	32	0.99	-

Call for availability of other sizes and dimensions

4.7R = 4.7 Pin with Resistor

4.7S = 4.7 Solid Pin .