

Fig. 284

Metal Deck Hanger

Size Range: 3/8" through 3/4"

Material: Carbon steel

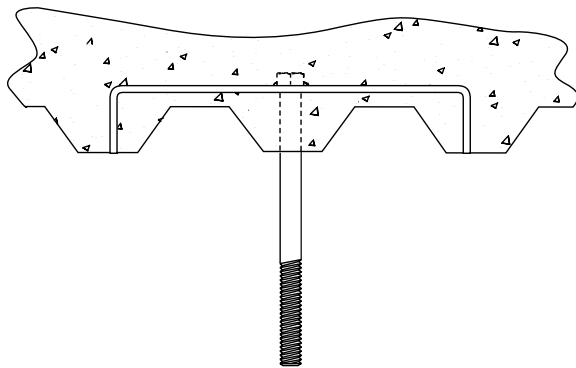
Finish: Plain

Service: Recommended for suspending pipe or conduit in metal concrete deck forms for a variety of rod sizes. May be used with a rod coupling such as the Fig. 135 or 136 to allow for extended rod lengths.

Features:

- L and H can be specified for a custom fit if your particular deck does not accommodate type A, B, or C.
- Standard 6" long UNC bolt is welded to bracket to ensure assembly remains intact during shipment.

Ordering: Specify Figure 284, design type (A, B, C) and bolt diameter. If your specific deck will not fit one of the design types and/or a different bolt size is required, specify leg height (H), opening (L) and bolt size.



Before pouring concrete, locate the Figure 284 on deck so legs rest in "valleys" of form. Drill hole in deck for bolt.

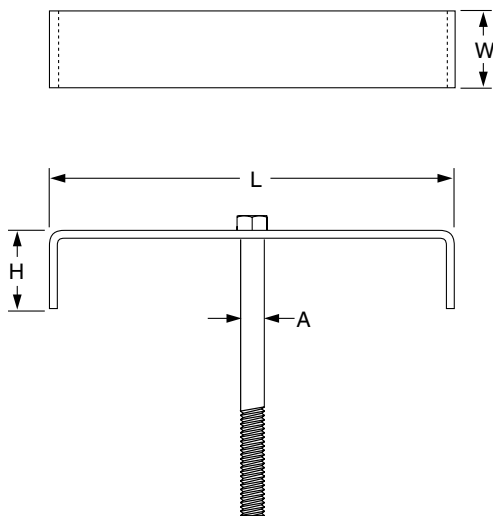


FIG. 284:
LOAD (LBS) • WEIGHT (LBS) • DIMENSIONS (IN)

Type	Bolt Size A	Max Load ■	L	H	W	Weight
A	3/8	730	9 5/8	1 3/4	1 1/2	1.33
	1/2	1,350				1.43
	5/8	2,160				1.64
	3/4	3,230				1.92
B	3/8	730	12	3	1 1/2	2.23
	1/2	1,350				2.33
	5/8	2,160				2.54
	3/4	3,230				2.82
C	3/8	730	16	4	1 1/2	3.10
	1/2	1,350				3.20
	5/8	2,160				3.41
	3/4	3,230				3.69

■ Based on the rod diameter only. Rating is subject to the conditions that the concrete used is of sufficient strength to hold the deck hanger.

- Pictorial Table of Contents
- General Notes
- Copper Tubing Hangers
- CPVC Pipe Hangers
- Pipe Rings
- Clevis Hangers
- Steel Pipe Clamps
- Socket Clamps
- Beam Clamps
- Structural Attachments
- Brackets
- Ceiling Plates & Flanges
- Concrete Inserts & Attachments**
- Hanger Rods
- Rod Attachments
- Bolts, Nuts, Pins & U-Bolts