

Fig. 127

Plastic Ceiling Plate

Size Range: 3/8" and 1/2"

Material: Plastic

Service: Recommended for giving a finished appearance where rod enters ceiling.

Installation: Slide plate up rod until flush against ceiling.

Features:

- Highly economical
- Quickly installed
- Held firmly to rod by design and friction

Ordering: Specify rod size, figure number, name. (rod not included)



FIG. 127: WEIGHT (LBS) • DIMENSIONS (IN)			
Rod Size A	Weight	Outside Dia.	Depth
3/8	0.07	1 13/16	1/2
1/2			

Fig. 395

Cast Iron Ceiling Plate

Size Range: 1/2" through 8"

Material: Cast iron

Finish: Plain or Galvanized

Service: Gives finished appearance where pipe enters ceiling.

Installation: Sizes 1/2" to 4" furnished with one machine screw; sizes 5" to 8", two machine screws.

Ordering: Specify pipe size, figure number, name and finish.

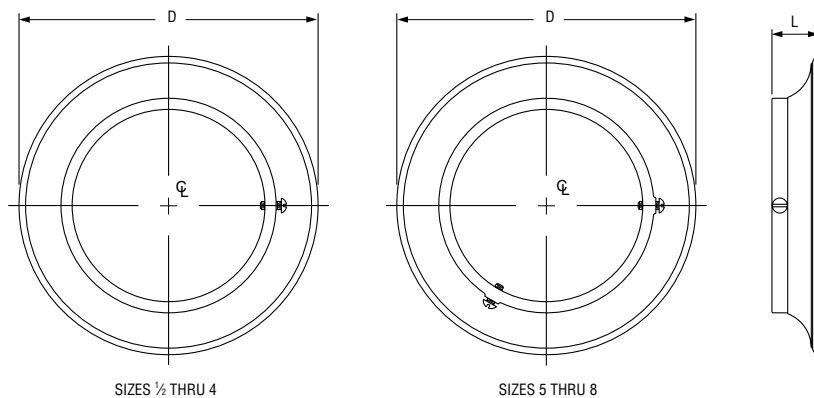


FIG. 395: WEIGHT (LBS) • DIMENSIONS (IN)			
Pipe Size	Weight	D - Dia.	L
1/2	0.21	2 7/8	3/4
3/4	0.40	3 3/8	
1	0.41	3 5/8	1
1 1/4	0.51	4	
1 1/2	0.55	4 1/4	
2	0.67	4 3/4	
2 1/2	0.93	5 1/2	6 1/8
3	1.10	6 1/8	
3 1/2	1.20	6 5/8	
4	1.40	7 1/8	1 1/4
5	2.50	8 11/16	
6	3.10	9 1/4	
8	3.30	11 3/4	

- Pictorial Table of Contents
- General Notes
- Copper Tubing Hangers
- CPVC Pipe Hangers
- Pipe Rings
- Clevis Hangers
- Steel Pipe Clamps
- Socket Clamps
- Beam Clamps
- Structural Attachments
- Brackets
- Ceiling Plates & Flanges
- Concrete Inserts & Attachments
- Hanger Rods
- Rod Attachments
- Bolts, Nuts, Pins & U-Bolts