



**AUTOMATIC SPRINKLERS  
GL SERIES  
DRY TYPE  
VERTICAL SIDEWALL  
UPRIGHT & PENDENT**

**DESCRIPTION AND OPERATION**

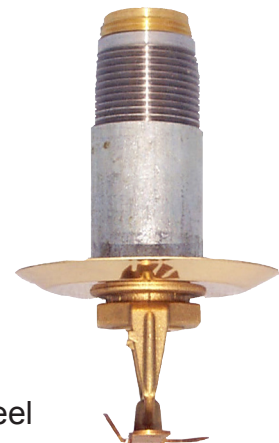
The Globe GL Series Dry Type Vertical Sidewall Sprinkler is designed for use in special applications such as freezing environments and conditions where sediment or foreign materials might accumulate in ordinary drop nipples.

The Globe GL Series Dry Type Vertical Sidewall Sprinkler utilizes a frangible glass ampule sprinkler. At the ampule's rated temperature, the sprinkler opens releasing the bulb seat, causing the inner tube assembly to move, allowing spring assembly to pivot alongside the inner tube. At this time, water flows through the sprinkler and is distributed by the deflector, in an approved discharge pattern.

The heart of Globe's GL Series sprinkler proven actuating assembly is a hermetically sealed frangible glass ampule that contains a precisely measured amount of fluid. When heat is absorbed, the liquid within the bulb expands increasing the internal pressure. At the prescribed temperature the internal pressure within the ampule exceeds the strength of the glass causing the glass to shatter. This results in water discharge which is distributed in an approved pattern.



**DRY UPRIGHT  
SIDEWALL**



**DRY PENDENT  
SIDEWALL**

**TECHNICAL DATA**

- See reverse side for Approvals and Specifications.
- Temperature Ratings - 135°F (57°C), 155°F (68°C), 175°F (79°C), 200°F (93°C), 286°F (141°C).
- Water Working Pressure Rating - 175 psi (12 Bars).
- Factory tested hydrostatically to 500 psi (34 Bars).
- Maximum low temperature glass bulb rating is -67°F (-55°C).
- Frame - bronze • Deflector - brass • Screw - brass
- Bulb seat - brass • Spring - teflon coated nickel alloy
- Retainer - brass • Pin - stainless steel • Torsion spring - stainless steel
- Bulb - glass with glycerin solution, 5mm • Orifice insert - brass
- 3/4" or 1" NPT • Outer tube - galvanized steel pipe
- Inner tube - stainless steel

**• SPRINKLER TEMPERATURE RATING/CLASSIFICATION and COLOR CODING**

CLASSIFICATION	AVAILABLE SPRINKLER TEMPERATURES		BULB COLOR	N.F.P.A. MAXIMUM CEILING TEMPERATURE	
ORDINARY	135°F/155°F	57°C/68°C	ORANGE/RED	100°F	38°C
INTERMEDIATE	175°F/200°F	79°C/93°C	YELLOW/GREEN	150°F	66°C
HIGH	286°F	141°C	BLUE	225°F	107°C

# AUTOMATIC SPRINKLERS GL SERIES DRY TYPE VERTICAL SIDEWALL UPRIGHT & PENDENT SPECIFICATIONS

NOMINAL "K" FACTOR		THREAD SIZE	LENGTH*	FINISHES
5.6	(80 metric)	3/4" or 1" NPT	Variable to 48"	Factory Bronze Satin Chrome <sup>1</sup> Bright Chrome White Polyester <sup>2</sup> Black Polyester <sup>2</sup> Lead Coated <sup>1</sup> Wax Coated <sup>1</sup> Wax over Lead <sup>1</sup>
8.1	(116 metric)	1" NPT		

NOTE: METRIC CONVERSIONS ARE APPROXIMATE.

\*cULus LISTED FOR UP TO A 48" "A" DIMENSION.

<sup>1</sup>FINISHES AVAILABLE ON SPECIAL ORDER.

WAX COATING cULus LISTED UP TO 200°F.

<sup>2</sup>C.U.L. LISTED CORROSION RESISTANT - POLYESTER MUST BE SPECIFIED ON ORDER.

## APPROVALS

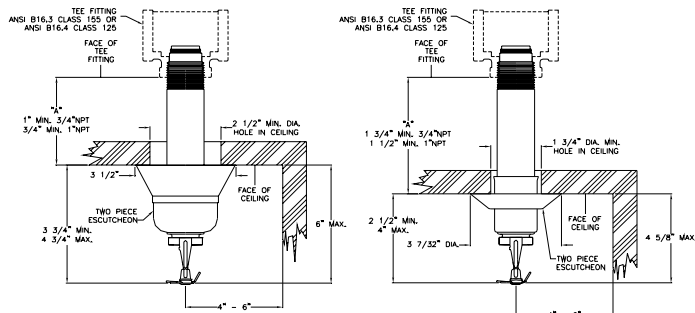
STYLE	SIN MODEL	K FACTOR	THREAD SIZE	135°F 57°C	155°F 68°C	175°F 79°C	200°F 93°C	286°F 141°C	*cULus	NYC - DOB MEA 101-92-E
VERTICAL SIDEWALL	GL5687	5.6	1" NPT	X	X	X	X	X	X	X
	GL5688	5.6	3/4" NPT	X	X	X	X	X	X	X
	GL8187	8.1	1" NPT	X	X	X	X	X	X	X

<sup>3</sup>/<sub>4</sub>" NPT x 5.6K ORIFICE AND 1" NPT x 8.1K ORIFICE LISTED FOR ORDINARY HAZARD.

PENDENT VERTICAL SIDEWALL cULus LISTED FOR 6' MIN. SPACING.

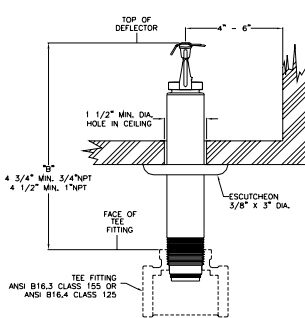
UPRIGHT VERTICAL SIDEWALL cULus LISTED FOR 9' MIN. SPACING.

## CROSS SECTIONS

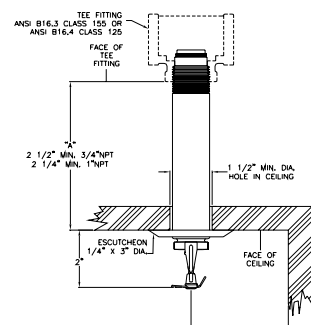


EXTENDED PENDENT

SLEEVE & SKIRT PENDENT



UPRIGHT



PENDENT

## IMPORTANT INSTALLATION DATA

Globe GL Series Dry Vertical sprinklers should be installed in accordance with the requirements set forth in NFPA 13. These sprinklers are to be installed using a pipe wrench applied to the end fitting. When this is not possible, the proper sprinkler head wrench may be used with extreme care for lengths up to approximately 18". Excessive force may distort the frame thus destroying the unit.

The GL Series Dry Sprinkler must not be installed in a short radius 90° elbow. When installing in other than an iron tee, the clearances between the end of the sprinkler and fitting should be checked.

When installed in a wet system extending into a freezing area see chart on Dry Caution sheet for minimum exposed barrel length to prevent ice plugs. Please refer to our Dry Caution sheet for further important installation data.

## ORDERING INFORMATION

### SPECIFY

- Quantity • Model Number • Style
- Orifice • Temperature • Finishes desired
- Quantity - Wrenches - P/N 333010
- Escutcheons desired
- "A" Dimension - Distance from face of fitting to the finished ceiling line regardless of escutcheon used;
- "B" Dimension - Distance from face of fitting to the top of the deflector.

## GLOBE® PRODUCT WARRANTY

Globe agrees to repair or replace any of its own manufactured products found to be defective in material or workmanship for a period of one year from date of shipment.

For specific details of our warranty, please refer to Price List Terms and Conditions of Sale (Our Price List).

4077 AIRPARK DRIVE, STANDISH, MICHIGAN 48658  
989-846-4583 FAX 989-846-9231  
1-800-248-0278 www.globesprinkler.com

