

MODEL

# SJ-400 BUTTERFLY VALVE

The Shurjoint Model SJ-400 Butterfly Valve is a grooved end stainless steel butterfly valve, supplied with a 10 position lever handle (SJ-400-L) or worm gear operator (SJ-400-W). The body is available in CF8M

(type 316) to ASTM A743 with integral neck and ISO 5211 mounting pad. It features a dual seal disc encapsulated with Gr. E EPDM for cold and hot water services. The end-to-end dimensions conform to MSS SP-67.

## Pressure-Temperature Rating

Nom. Rating	Working Pressure (S40S, Roll-grooved)	Max. Service Temperature
Class 150	300 psi @100°F 20 Bar @38°C	EPDM: 230°F / 110°C Nitrile: 180°F / 82°C

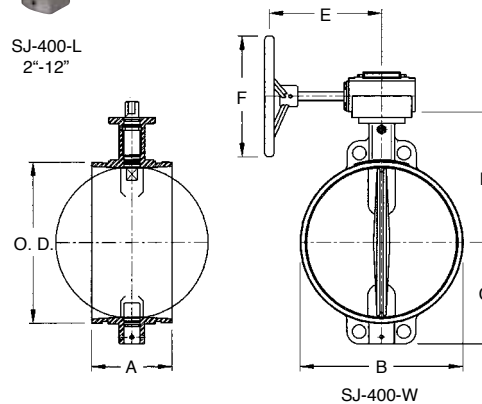
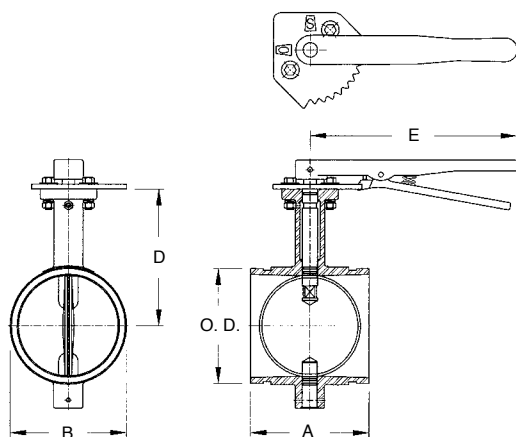
- The working pressure shown is based on roll-grooved Sch. 40S pipe. Apply 110% for cut-grooved Sch. 40S pipe. Apply 80% for roll-grooved Sch. 10S pipe and 50% for roll-grooved Sch. 5S pipe.
- Seat test: 110% the working pressure.
- Shell test: 1.5 times the working pressure.



SJ-400-L  
2"-12"



SJ-400-W  
14"-24"



Nominal Size mm / in	Pipe O. D. mm / in	Dimensions					Operating Torque N-m / In - Lb	Weight Kgs / Lbs
		A mm / in	B mm / in	C mm / in	D mm / in	E mm / in		
50	60.3	81	64	63	106	192	8.80	2.3
2	2.375	3.19	2.520	2.480	4.17	7.56	78	5.0
65	73.0	97	80	68	111	192	9.50	3.2
2½	2.875	3.81	3.150	2.677	4.28	7.56	84	7.0
76.1 mm	76.1	97	80	68	111	192	9.50	3.2
	3.000	3.81	3.150	2.677	4.28	7.56	84	7.0
80	88.9	97	92	76	126	192	10.7	3.5
3	3.500	3.81	3.622	2.992	4.97	7.56	95	6.6
100	114.3	116	118	89	135	252	22.6	5.0
4	4.500	4.56	4.646	3.504	5.33	9.92	200	11.0
165.1 mm	165.1	148	172	114	168	252	34.9	9.2
	6.500	5.81	6.772	4.488	6.62	9.92	310	20.2
150	168.3	148	172	114	184	342	34.9	9.2
6	6.625	5.81	6.772	4.488	7.25	13.46	310	20.2
200JIS	216.3	133	222	140	208	342	45.1	12.2
	8.516	5.24	8.740	5.512	8.20	13.46	400	26.8
200	219.1	133	222	140	208	342	45.1	12.2
8	8.625	5.24	8.740	5.512	8.20	13.46	400	26.8
250	273.0	160	284	186	235	252	170	28.3
10	10.750	6.30	11.18	7.32	9.25	9.92	1500	31.3
300	323.9	166	334	213	260	356	226	40.0
12	12.750	6.56	13.15	8.39	10.24	14.02	2000	88.0
350	355.6	178	359	224	276	203	254	59.0
14	14.000	7.00	14.13	8.82	10.87	8.00	10.0	130.0
400	406.4	178	410	248	302	242	306	67.0
16	16.000	7.00	16.14	9.76	11.89	9.50	12.00	147.4
450	457.2	203	464	283	350	242	305	86.0
18	18.000	8.00	18.25	11.14	13.78	9.50	12.00	189.2
500	508.0	216	515	314	383	290	412	133.0
20	20.000	8.50	20.28	12.36	15.08	11.40	16.20	292.6
600	609.6	254	616	368	453	290	412	160.0
24	24.000	10.00	24.25	14.50	17.83	11.40	16.20	352.0

\* The weight includes the lever handle or worm gear operator.