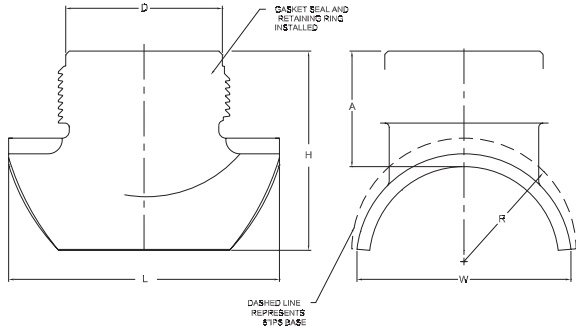
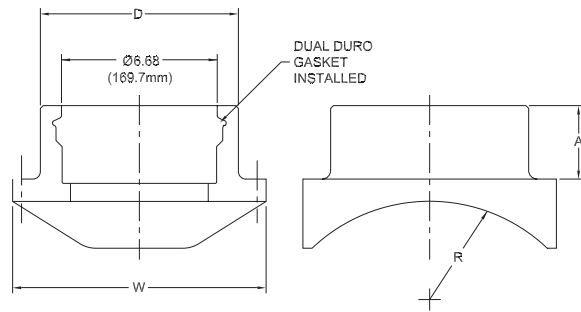


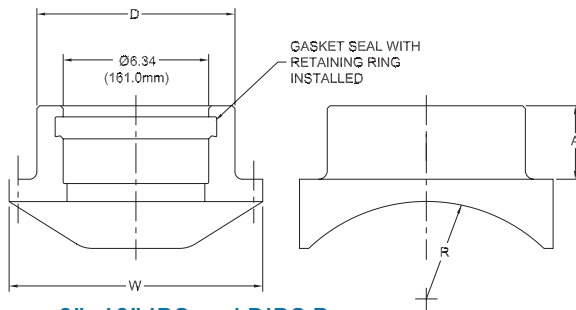
# Electrofusion Fittings: Gasketed Sewer Saddles



**6" and Multi-Base  
IPS/Sch 40 & PSM/DR35 Gaskets**



**8"–48" IPS and DIPS Base  
with IPS/Sch 40 Gasket**



**8"–48" IPS and DIPS Base  
with PSM/DR35 Gasket**

## SEWER SADDLE DIMENSIONS

Nominal Base Size	A	D	H	W	L
6" IPS & PSM Gasket	4.06	5.50	7.00	7.88	9.51
Multi-Base IPS & PSM Gasket	4.06	5.50	6.00	7.56	9.51
8" IPS–30" IPS Gasket	3.00	8.63	*	10.60	*
8" IPS–54" PSM Gasket	3.00	8.63	*	10.60	*

Call for availability of other sizes and dimensions.

4.7R = 4.7 Pin with Resistor

4.7S = 4.7 Solid Pin