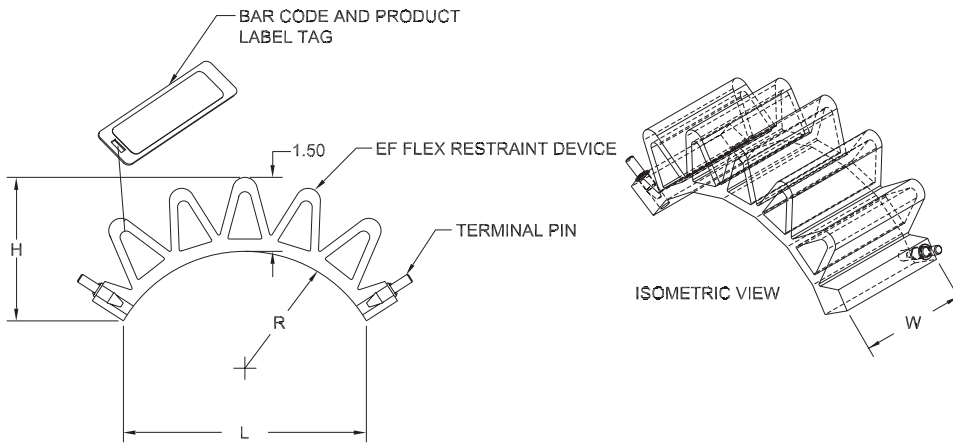
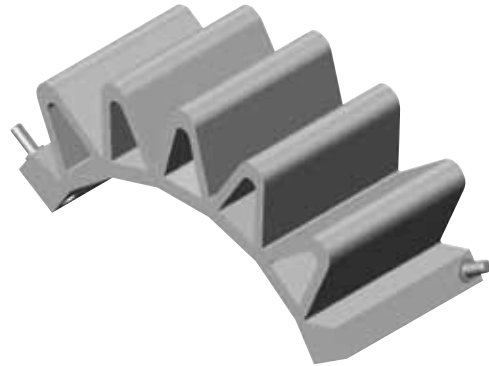


Electrofusion Fittings: Flex Restraint

Size Range: Works on solid wall pipe 6" IPS & larger



ELECTROFUSION FLEX RESTRAINT DIMENSIONS

Nominal Base Size	H	W	L
6"-63"	2.91	2.56	4.92

(PE3408/PE4710) ELECTROFUSION FLEX RESTRAINTS

Main Size	Axial Resistance	Description	Pin Type	Clamp Type	Part Number	Pack. Qty.	Wt.
6"-63"	9,000 lbs.	Flexible Restraint	4.7 S	N	10004637	40	0.42

Call for availability of other sizes and dimensions.

4.7R = 4.7 Pin with Resistor

4.7S = 4.7 Solid Pin