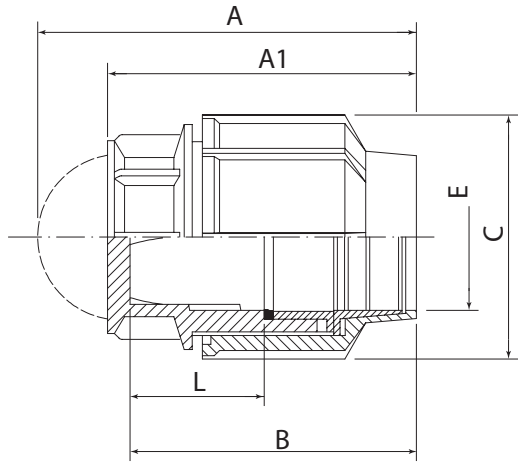


Plastic Compression Fittings: IPS End Caps



END CAP DIMENSIONS

Size	A	B	C	E	A1	L
1/2"	2.76	2.24	1.79	0.89	2.36	0.69
3/4"	3.11	2.52	2.24	1.08	2.64	0.69
1"	3.54	2.17	2.62	1.42	2.89	0.75
1 1/4"	4.41	3.43	3.21	1.77	3.64	1.08
1 1/2"	5.08	3.90	3.66	2.11	4.13	1.16
2"	6.30	4.80	4.61	2.56	5.20	1.64
3"	8.66	6.81	6.30	3.66	7.13	2.68

ALPRENE IPS COMPRESSION END CAPS

Size	Part Number	Weight (lbs.)	Standard Pack (Bag)	Gross Pack (Box)
1/2"	ALP-41702200	0.09	25	375
3/4"	ALP-41702700	0.14	25	250
1"	ALP-41703400	0.22	25	150
1 1/4"	ALP-41704200	0.46	10	60
1 1/2"	ALP-41704800	0.66	10	40
2"	ALP-41706000	1.28	5	20
3"	ALP-41709000	2.98	1	6

Call for availability of other sizes and dimensions.