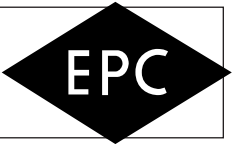

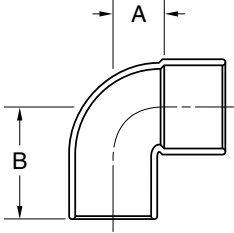

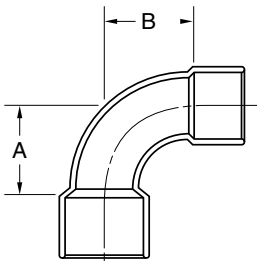



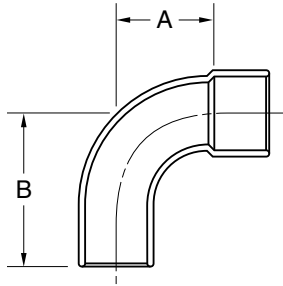
Wrot & Cast Pressure Fittings Elbows



WROT		CAST				
107-C-2		90° Street Elbow -Close Ruff				
Fitting to Copper						
						
FTG. x C						
Nominal Size In Inches	Part Number	Box Quantity	Master Pack	Approx. Net Wt.	Dim. A	Dim. B
1/8	31390	50	1000	0.006	3/8	49/64
1/4	31392	50	1000	0.012	3/8	3/4
3/8	31396	50	1000	0.027	13/32	15/16
1/2	31400	100	1000	0.042	29/64	1 1/32
5/8	31404	25	250	0.061	17/32	1 7/32
3/4	31408	50	500	0.103	19/32	1 13/32
1	31412	20	200	0.195	21/32	1 21/32
1 1/4	31416	25	200	0.259	7/8	1 29/32
1 1/2	31420	20	120	0.392	1 11/64	2 3/8
2	31424	10	80	0.805	1 29/64	2 27/32
2 1/2	31428	5	40	1.187	1 3/4	3 21/64
3	31432	3	24	1.960	2	3 25/32
3 1/2	31436	1	8	2.798	2 15/64	4 15/64
4	31440	1	8	4.460	2 19/32	4 13/16

WROT		CAST				
107-L		90° Elbow-Long Turn-cont.				
Copper to Copper						
Nominal Size In Inches	Part Number	Box Quantity	Master Pack	Approx. Net Wt.	Dim. A	Dim. B
1/2	31676	50	500	0.055	55/64	55/64
5/8	31684	25	250	0.087	1 1/16	1 1/16
3/4	31692	25	250	0.123	1 5/32	1 5/32
7/8	31702	10	100	0.210	1 15/32	1 15/32
1	31708	10	100	0.270	1 29/64	1 29/64
1 1/4	31720	10	80	0.381	1 7/8	1 7/8
1 1/2	31730	10	80	0.563	2 3/16	2 3/16
2	31740	5	30	1.156	3	3
2 1/2	31750	1	10	1.980	3 3/16	3 3/16
3	31756	1	8	3.320	4 5/8	4 5/8
3 1/2	31762	1	1	4.850	5 1/4	5 1/4
4	31770	1	1	7.400	5 7/8	5 7/8

WROT		CAST				
107-L		90° Elbow-Long Turn				
Copper to Copper						
						
C x C						
Nominal Size In Inches	Part Number	Box Quantity	Master Pack	Approx. Net Wt.	Dim. A	Dim. B
3/16 OD	31662	50	1000	0.007	5/16	5/16
5/16 OD	31666	50	1000	0.013	9/16	9/16
1/8	31664	50	1000	0.083	1/2	1/2
1/4	31668	50	1000	0.019	3/4	3/4
3/8	31672	50	500	0.033	23/32	23/32

WROT		CAST				
107-L-2		90° Street Elbow-Long Turn				
Fitting to Copper						
						
FTG. x C						
Nominal Size In Inches	Part Number	Box Quantity	Master Pack	Approx. Net Wt.	Dim. A	Dim. B
1/8	31790	50	1000	0.008	1/2	7/8
1/4	31792	50	1000	0.019	23/64	1 1/16
3/8	31796	50	500	0.032	23/32	1 7/32
1/2	31802	50	500	0.055	55/64	1 7/16
5/8	31810	25	250	0.087	1 1/16	1 27/32
3/4	31816	25	250	0.139	1 1/8	2 1/16
1	31830	10	100	0.269	1 13/32	2 9/16
1 1/4	31838	10	80	0.381	1 7/8	2 29/32
1 1/2	31844	10	80	0.563	2 3/16	3 5/16
2	31850	5	30	1.156	2 31/32	4 3/8
2 1/2	31856	1	10	1.963	3 3/16	4 23/32
3	31862	1	8	3.300	4 5/8	6 11/32
3 1/2	31868	1	8	3.850	4	5 31/32
4	31874	1	1	5.890	4 29/64	6 23/32

** Cast Bronze Only

*Factory Option—consult factory for price and delivery information.