



RESIDENTIAL
AUTOMATIC SPRINKLERS
MILLENNIUM™ GL4248
FLUSH PENDENT

DESCRIPTION AND OPERATION

The Globe Millennium™ Residential Flush Pendent Sprinkler is a low profile, aesthetically pleasing, flush mounted sprinkler that utilizes a 2.5mm frangible glass ampule as the thermosensitive element.

The combination of the 2.5mm frangible glass ampule and specially designed deflector make the Millennium™ Residential Sprinkler the ultimate in life safety and fire control. The sprinklers have met the strict requirements of Underwriters Laboratories Inc. as described in the Standard for Residential Sprinklers for Fire Protection Service, UL 1626, and should be installed in accordance with the appropriate National Fire Protection Association Standard NFPA 13, 13D or 13R.

The heart of Globe's Millennium™ Sprinkler actuating assembly is a hermetically sealed frangible glass ampule that contains a precisely measured amount of fluid. When heat is absorbed, the liquid within the bulb expands increasing the internal pressure. At the prescribed temperature, when the internal pressure exceeds the strength of the glass ampule, the ampule ruptures. The levers that had been held in position by the bulb now collapse inward allowing the deflector and Teflon coated belleville washer seal to move downward to the full-operated position. This results in water discharge that is distributed in an approved pattern.



RESIDENTIAL
FLUSH PENDENT



TECHNICAL DATA

- See reverse side for Approvals and Specifications.
- Temperature Rating - 155°F (68°C).
- Water Working Pressure Rating - 175 psi (12 Bars).
- Factory tested hydrostatically to 500 psi (34 Bars).
- Maximum low temperature glass bulb rating is -67°F (-55°C).
- Body - bronze • Deflector - bronze • Orifice Insert - brass
- Splitter - brass • Belleville Spring - beryllium nickel
- Teflon gasket - teflon • Drop pin - bronze • Lever arm - bronze
- Load bar - bronze • Ceiling cover - brass
- Load screw - stainless steel
- Bulb - glass with alcohol based solution, 2.5mm size.
- Escutcheon - steel • Dust cover - nylon • Pin cover - nylon

• SPRINKLER TEMPERATURE RATING/CLASSIFICATION and COLOR CODING

CLASSIFICATION	AVAILABLE SPRINKLER TEMPERATURES	BULB COLOR	N.F.P.A. MAXIMUM CEILING TEMPERATURE
ORDINARY	155°F 68°C	RED	100°F 38°C
INTERMEDIATE	175°F 79°C	YELLOW	150°F 66°C

4077 AIRPARK DRIVE, STANDISH, MICHIGAN 48658

989-846-4583 • FAX 989-846-9231

RESIDENTIAL AUTOMATIC SPRINKLERS MILLENNIUM™ GL4248 FLUSH PENDENT

SPECIFICATIONS

NOMINAL "K" FACTOR	THREAD SIZE	LENGTH	FINISHES
4.1 (58 metric)	1/2" NPT	2 1/2" (6.4 cm)	Bright Chrome White Polyester Black Polyester ¹

NOTE: METRIC CONVERSIONS ARE APPROXIMATE.

¹FINISHES AVAILABLE ON SPECIAL ORDER.

APPROVALS

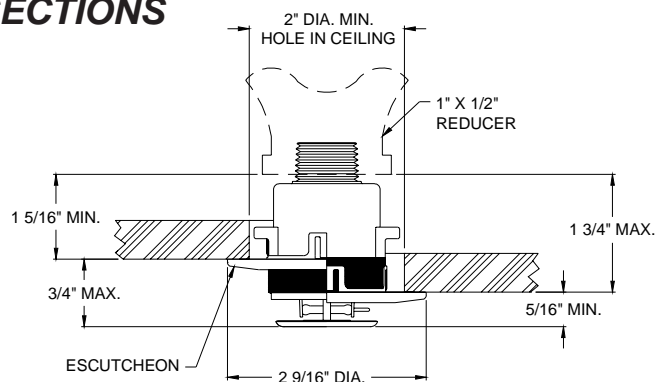
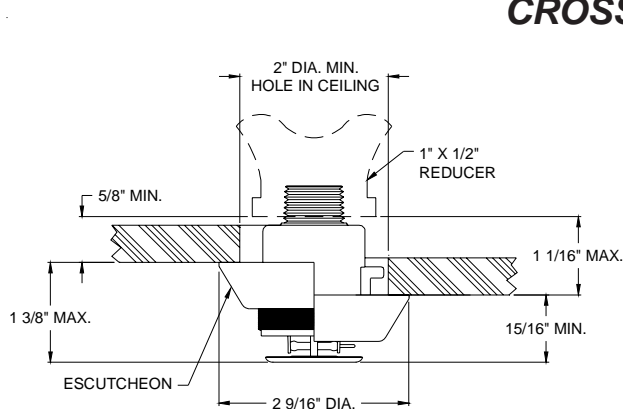
STYLE	SIN MODEL	K FACTOR	155°F 68°C	cULus
FLUSH PENDENT	GL4248	4.1	X	X

INSTALLATION DATA FLUSH PENDENT SPRINKLER

MAXIMUM AREA OF COVERAGE	MINIMUM WATER DISCHARGE & PRESSURES NEEDED * (FOR UP TO 2/12 SLOPE)	MINIMUM WATER DISCHARGE & PRESSURES NEEDED (FOR UP TO 8/12 SLOPE)
12' x 12'	11 G.P.M. - 7.2 PSI.	22 G.P.M. - 28.8 PSI.
14' x 14'	11 G.P.M. - 7.2 PSI.	22 G.P.M. - 28.8 PSI.
16' x 16'	13 G.P.M. - 10 PSI.	22 G.P.M. - 28.8 PSI.
18' x 18'	17 G.P.M. - 17.2 PSI.	22 G.P.M. - 28.8 PSI.
20' x 20'	20 G.P.M. - 23.8 PSI.	22 G.P.M. - 28.8 PSI.

*WHEN THESE SPRINKLERS ARE USED IN NFPA 13 SYSTEMS, A 0.1 DESIGN DENSITY MINIMUM SHALL BE UTILIZED.
MINIMUM 9' SPRINKLER SPACING.

CROSS SECTIONS



FLUSH PENDENT

ORDERING INFORMATION

SPECIFY

- Quantity • Model Number • Style
- Orifice • Temperature • Finishes desired
- Quantity - Millennium Wrenches - P/N 332334



JULY 2005

GLOBE® PRODUCT WARRANTY

Globe agrees to repair or replace any of its own manufactured products found to be defective in material or workmanship for a period of one year from date of shipment.

For specific details of our warranty please refer to Price List Terms and Conditions of Sale (Our Price List).
4077 AIRPARK DRIVE, STANDISH, MICHIGAN 48658

989-846-4583
1-800-248-0278

FAX 989-846-9231
www.globesprinkler.com

PRINTED U.S.A.

BULLETIN GL4248, REV. #5