

## Fig. 65

### Light Duty Adjustable Clevis

**Size Range:** 3/8" through 4"

**Material:** Carbon steel

**Finish:** Plain, Galvanized or Epoxy coated

**Service:** Recommended for suspension of **stationary** pipe or conduit.

**Maximum Temperature:** Plain 650° F, Galvanized and Epoxy 450° F

**Approvals:** Complies with Federal Specification WW-H-171-E (Type 12).

**Installation:** Hanger load nut above the clevis must be tightened securely to assure proper hanger performance.

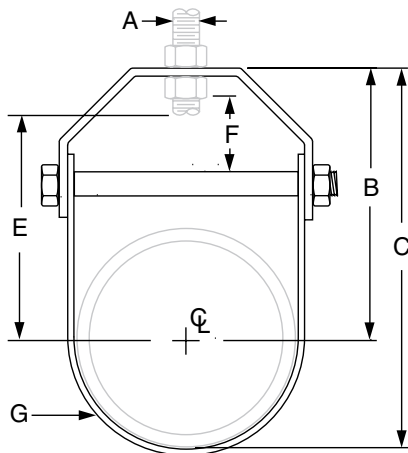
**Adjustment:** Vertical adjustment is provided, varying with the size of clevis. Tighten upper nut after adjustment.

**Features:** An economical attachment for light duty service.

**Ordering:** Specify pipe size, figure number, name and finish.

**Metric nut available upon request.**

**Caution:** When an oversize clevis is used, a pipe spacer or multispacer should be placed over clevis bolt to ensure that the lower U-strap will not move in on the bolt.



**FIG. 65: LOADS (LBS) • WEIGHT (LBS) • DIMENSIONS (IN)**

Pipe Size	Max Load	Weight	Rod Size A	B	C	Rod Take Out E	Adjustment F	G Width Lower
3/8	150	0.09	3/8	1 1/2	1 27/32	1 1/16	5/16	5/8
1/2		0.10		1 11/16	2 3/32	1 1/4	7/16	
3/4	250	0.17		1 7/8	2 13/32	1 7/16	1/2	3/4
1		0.18		2 5/32	2 13/16	1 11/16	5/8	
1 1/4		0.21		2 17/32	3 3/8	2 1/16	13/16	
1 1/2		0.24		2 13/16	3 13/16	2 3/8	15/16	
2		0.26		3 11/32	4 17/32	2 7/8	1 3/16	
2 1/2	350	0.50		3 27/32	5 9/32	3 1/4	1 5/16	3/4
3		0.59		4 15/32	6 7/32	3 7/8	1 5/8	
3 1/2		0.62		4 31/32	6 31/32	4 3/8	1 7/8	
4	400	0.77	5 17/32	7 25/32	4 15/16	2 1/8		