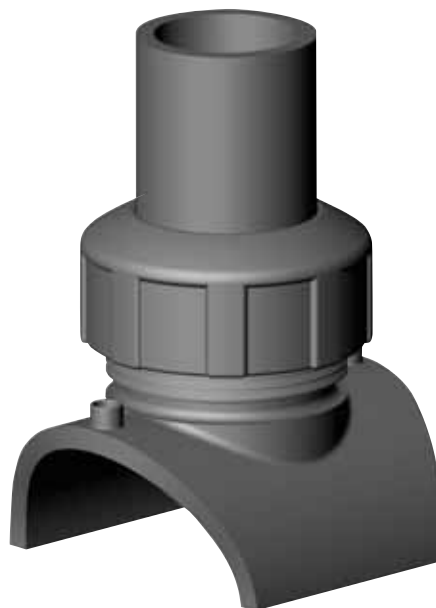
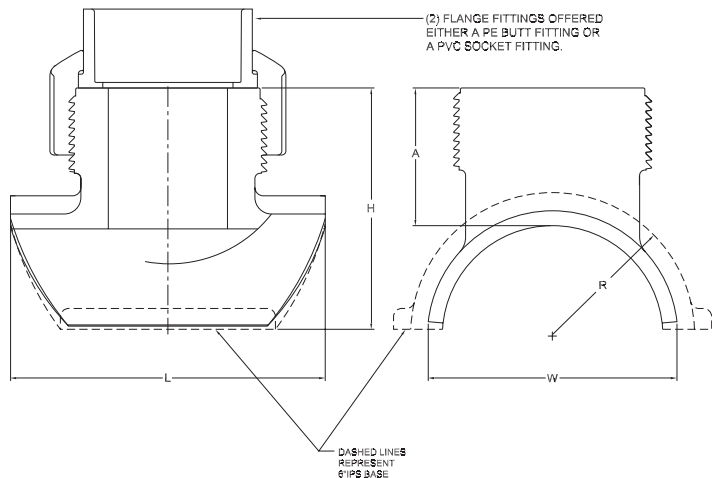


Electrofusion Fittings: Branch Unions

Available Outlet Sizes: 4" HDPE, 4" PVC, Cap

NOTE: Non-Pressure Applications Only



BRANCH UNION DIMENSIONS

| Nominal Base Size | A | D | H | W | L |
|-------------------|------|---|------|------|------|
| 6" IPS DR 17 | 4.16 | * | 7.38 | 9.63 | 9.13 |
| 8" IPS DR 11 | 4.16 | * | 7.38 | 7.56 | 9.13 |

(PE3408/PE4710) ELECTROFUSION BRANCH UNION

| Outlet Size | Main Size | Pin Type | Clamp Type | Part Number | Pack. Qty. | Wt. | AWWA |
|-------------|-------------------|----------------|------------|-------------|------------|------|------|
| 4" IPS | Multi-Base 8"-10" | 3 Pin Resistor | J | call | 8 | 7.19 | - |
| 4" Sch 80 | 6" | 3 Pin Resistor | J | call | 8 | 7.14 | - |
| 4" IPS | 6" | 3 Pin Resistor | J | call | 8 | 7.14 | - |

Call for availability of other sizes and dimensions.

4.7R = 4.7 Pin with Resistor

4.7S = 4.7 Solid Pin