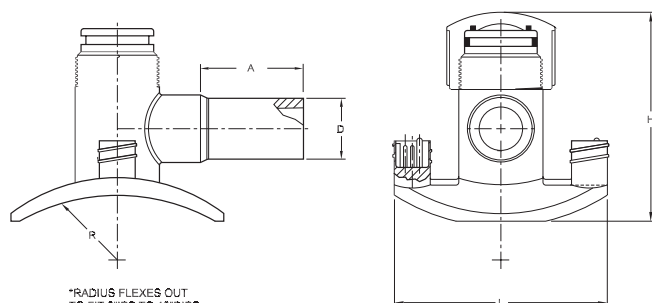
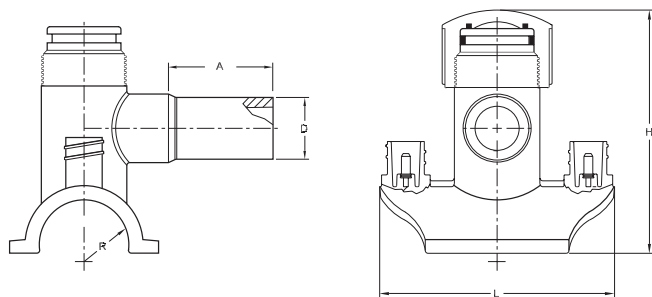
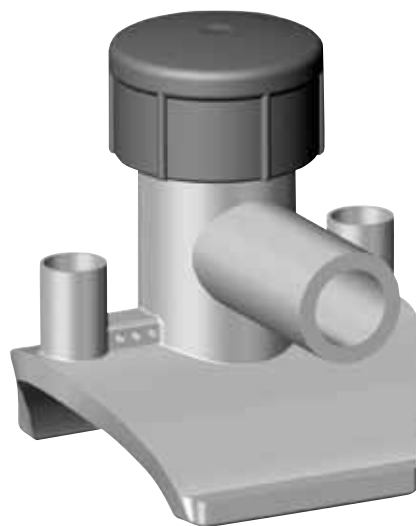


Electrofusion Fittings: Tapping Tees (EFTT) w/Butt Outlet



*RADIUS FLEXES OUT TO FIT 8" IPS TO 10" DIPS PE PIPES WHEN USED WITH TOP LOAD CLAMPS



BUTT FUSION OUTLET DIMENSIONS

Outlet Size	A	D
1/2" CTS	2.22	0.62
1/2" IPS	2.22	0.84
3/4" CTS	2.22	0.87
3/4" IPS	2.22	1.05
1" CTS	2.22	1.12
1" IPS	2.22	1.31

EF TAPPING TEE DIMENSIONS

Base Size	H	L
1 1/4" IPS	4.83	4.58
1 1/2" IPS	4.94	4.50
2" CTS	4.94	4.50
2" IPS	5.06	4.50
3" IPS	5.18	4.58
4" IPS/DIPS	5.93	4.46
6" IPS/DIPS	7.06	4.61
8" IPS/DIPS	4.14	4.60
10" IPS/DIPS	4.14	4.60

Call for availability of other sizes and dimensions.