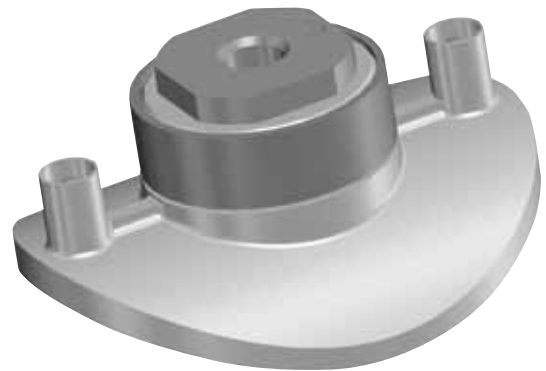


# Electrofusion Fittings: Transition Saddles (Corp Saddles)

Outlet Material: Stainless 316

Compression Ring Material: Stainless 304



(PE3408/PE3708/PE4710) ELECTROFUSION TRANSITION SADDLE w/Stainless Outlet & FPT Threads

Outlet Size	Main Size	Outlet Type	Pin Type	Clamp Type	Part Number	Pack. Qty.	Wt.	AWWA
1½" FPT	2" IPS	Stainless	4.7 R	B	10004676	10	1.78	YES
1½" FPT	3" IPS	Stainless	4.7 R	C	10004689	10	1.98	YES
1½" FPT	4" IPS/DIPS	Stainless	4.7 R	D/L	10004703	5	2.16	YES
1½" FPT	6" IPS/DIPS	Stainless	4.7 R	E/M	10004720	5	2.43	YES
1½" FPT	8" IPS	Stainless	4.7 R	H	10004743	10	2.07	YES
1½" FPT	8" DIPS	Stainless	4.7 S	H	call	-	-	-
1½" FPT	10" IPS	Stainless	4.7 S	H	10007561	-	-	-
1½" FPT	10" DIPS	Stainless	4.7 S	H	call	-	-	-
1½" FPT	12" IPS	Stainless	4.7 S	H	call	-	-	-
1½" FPT	12" DIPS	Stainless	4.7 S	H	call	-	-	-
2" FPT	2" IPS	Stainless	4.7 R	B	call	-	-	-
2" FPT	3" IPS	Stainless	4.7 R	C	10004691	-	-	YES
2" FPT	4" IPS/DIPS	Stainless	4.7 R	D/L	call	-	-	-
2" FPT	6" IPS/DIPS	Stainless	4.7 R	E/M	call	-	-	-
2" FPT	8" IPS	Stainless	4.7 R	H	call	-	-	-
2" FPT	8" DIPS	Stainless	4.7 S	H	call	-	-	-
2" FPT	10" IPS	Stainless	4.7 S	H	call	-	-	-
2" FPT	10" DIPS	Stainless	4.7 S	H	call	-	-	-
2" FPT	12" IPS	Stainless	4.7 S	H	call	-	-	-
2" FPT	12" DIPS	Stainless	4.7 S	H	call	-	-	-

Call for availability of other sizes and dimensions.

4.7R = 4.7 Pin with Resistor

4.7S = 4.7 Solid Pin