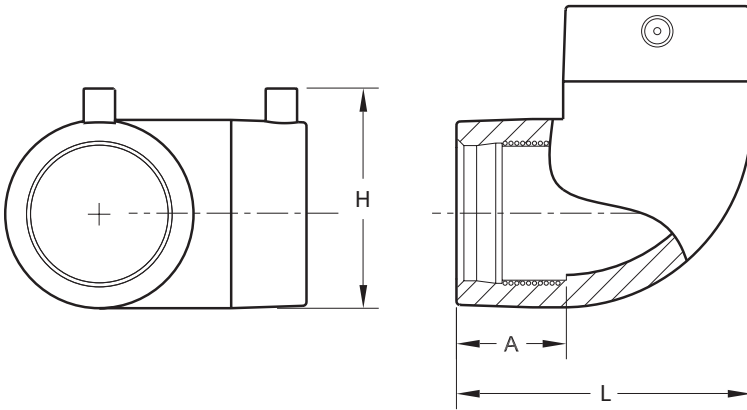


Electrofusion Fittings: Elbows



EF ELBOW DIMENSIONS

Nominal Size	H	L	A
1" IPS	2.63	2.60	1.38
2" IPS	3.95	5.05	2.27

(PE3408/PE4710) ELECTROFUSION ELBOWS

Size	Description	Pin Type	Part Number	Pack. Qty.	Wt.	AWWA
1" IPS	ASTM D2513/F1055	4.7 R	5751120	30	0.18	-
2" IPS	ASTM D2513/F1055	4.7 R	5751590	40	0.78	-

Call for availability of other sizes and dimensions

4.7R = 4.7 Pin with Resistor

4.7S = 4.7 Solid Pin.