

WFD Series Waterflow Detector



UL Models	ULC/Canadian Models
WFD20	WFD20A
WFD25	WFD25A
WFD30	WFD30A
WFD30-2	WFD30-2A
WFD35	WFD35A
WFD40	WFD40A
WFD50	WFD50A
WFD60	WFD60A
WFD80	WFD80A

Replacement Parts

A3008-00	Retard Mechanism
A77-01-02	Terminal Block
546-7000	Cover Tamper Switch Kit
WFDW	Cover Wrench
WFDN4	Replacement gasket kit



Product Overview

New WFD30-2 models install in 2" hole sizes

UL models are NEMA 4 rated

Sealed retard mechanism assures that the retard is not contaminated by dust and dirt when the cover is removed

Visual switch activation permits installer to accurately set retard under noisy conditions

Rugged, dual SPDT switches are enclosed in a durable terminal block

Accommodates up to 12 AWG wire

100% synchronization activates both alarm panel and local bell simultaneously

System Sensor's WFD series is compatible with schedule 10 through 40 steel pipe, sizes 2" through 8", and can be mounted in a vertical or horizontal position.

Robust Construction. The WFD series consists of a rugged, NEMA 4 rated enclosure. Designed for both indoor and outdoor use, the WFD series operates across a wide temperature range, from 32°F to 120°F.

Reliable Performance. UL listed models are equipped with tamper resistant cover screws to prevent unauthorized entry. Inside, two sets of SPDT (Form C) synchronized switches are enclosed in a durable terminal block to assure reliable performance.

False Alarm Immunity. The WFD series incorporates a mechanical retard feature, which minimizes the risk of false alarm due to pressure surges or air trapped in the sprinkler system. In addition, the mechanical retard's unique sealed design is immune to dust and other contaminants.

Simplified Operation. The WFD series is designed to simplify installation. Two conduit openings permit easy attachment to the local alarm system. The retard mechanism and dual SPDT switches are field-replaceable.



Engineering Specifications

Vane-type waterflow detectors shall be installed on system piping as designated on the drawing and/or as specified herein. Detectors shall mount on any clear pipe span of the appropriate nominal size, either a vertical upflow or horizontal run, at least 6" from any fittings which may change water direction, flow rate, or pipe diameter or no closer than 24" from a valve or drain. Detectors shall have a sensitivity in the range of 4 to 10 gallons per minute and a static pressure rating of 450 psi for 2" - 8" pipes. The detector shall respond to waterflow in the specified direction after a preset time delay which is field adjustable. The delay mechanism shall be a sealed mechanical pneumatic unit with visual indication of actuation. The actuation mechanism shall include a polyethylene vane inserted through a hole in the pipe and connected by a mechanical linkage to the delay mechanism. Outputs shall consist of dual SPDT switches (Form C contacts). Two conduit entrances for standard fittings of commonly used electrical conduit shall be provided on the detectors. A grounding provision is provided. Unless noted, enclosures shall be NEMA 4 listed by Underwriters Laboratories Inc. All detectors shall be listed by Underwriters Laboratories Inc. for indoor or outdoor use.

Standard Specifications

Static Pressure Rating

450 PSI

Triggering Threshold Bandwidth (Flow Rate)

4-10 GPM

Maximum Surge

18 Feet Per Second (FPS)

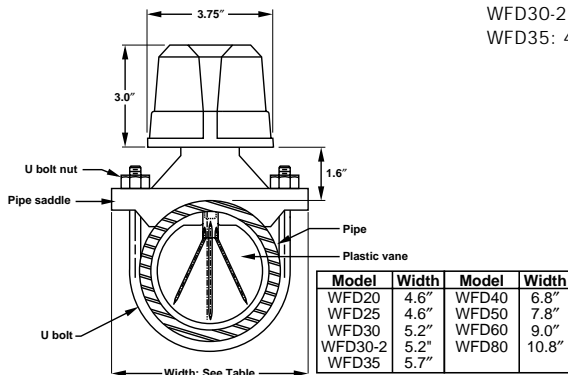
Compatible Pipe:

Steel water pipe, schedule 10 through 40

Contact Ratings

Two sets of SPDT (Form C)
10.0 A, 1/2 HP @ 125/250 VAC
2.5 A @ 6/12/24 VDC

Overall Dimensions Installed:



Conduit Entrances

Two openings for 1/2" conduit. One open, one knock-out type

Operating Temperature Range

32°F to 120°F (0°C to 49°C)

Enclosure Rating*

NEMA 4 - suitable for indoor/outdoor use

Cover Tamper Switch

Standard with ULC models
Optional for UL models, part no. 546-7000

Shipping Weight

WFD20: 4.2 lbs. WFD40: 5.2 lbs.
WFD25: 4.3 lbs. WFD50: 6.3 lbs.
WFD30: 4.5 lbs. WFD60: 6.8 lbs.
WFD30-2: 4.5 lbs. WFD80: 7.5 lbs.
WFD35: 4.7 lbs.

Service Use

Automatic Sprinkler: NFPA-13
One or Two Family Dwelling: NFPA 13D
Residential Occupancies up to 4 Stories: NFPA 13R
National Fire Alarm Code: NFPA-72

Warranty

3 Years

U.S. Patent Numbers

3,845,259
4,782,333
5,213,205

Ordering Information

UL Model Numbers	ULC/Canadian Model Numbers	Pipe Size	Hole Size
WFD20	WFD20A	2"	1 ¹ / ₄ "
WFD25	WFD25A	2 ¹ / ₂ "	1 ¹ / ₄ "
WFD30	WFD30A	3"	1 ¹ / ₄ "
WFD30-2*	WFD30-2A	3"	2"
WFD35	WFD35A	3 ¹ / ₂ "	1 ¹ / ₄ "
WFD40	WFD40A	4"	2"
WFD50	WFD50A	5"	2"
WFD60	WFD60A	6"	2"
WFD80	WFD80A	8"	2"

*UL listed only.

System Sensor Sales and Service

System Sensor Headquarters

3825 Ohio Avenue
St. Charles, IL 60174

Ph: 800-SENSOR2

Fx: 630/377-6495

Documents On Demand:

1-800-736-7672 x3

Web: www.systemsensor.com

System Sensor in Canada

Ph: 905.812.0767

Fx: 905.812.0771

System Sensor in Europe

Ph: + 44.1403.276500

Fx: + 44.1403.276501

System Sensor in China

Ph: + 86.29.524.6253

Fx: + 86.29.524.6259

System Sensor in Singapore

Ph: + 65.273.2230

Fx: + 65.273.2610

System Sensor in the Far East

Ph: + 852.21919003

Fx: + 852.27366580

System Sensor in Australia

Ph: + 613.54.281.142

Fx: + 613.54.281.172

System Sensor in India

Ph: + 91.11.558.2119

Fx: + 91.11.567.6815