
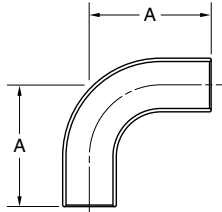

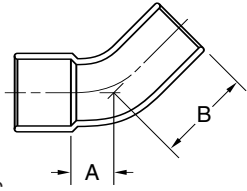

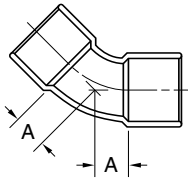

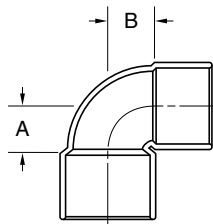


# Wrot & Cast Pressure Fittings Elbows

WROT		CAST			
<b>105-L</b>	<b>90° Street Elbow-Long Turn</b> Fitting to Fitting				
					
Nominal Size In Inches	Part Number	Box Quantity	Master Pack	Approx. Net Wt.	Dim. A
3/8	31896	25	500	0.033	1 3/16
1/2	31902	25	250	0.057	1 7/16
3/4	31914	25	250	0.138	2
1	31926	10	100	0.251	2 15/32
1 1/4	31932	5	50	0.381	2 29/32
1 1/2	31938	5	50	0.563	3 5/16
2	31944	5	40	1.156	4 3/8

WROT		CAST				
<b>106-2</b>	<b>45° Street Elbow</b> Fitting to Copper					
						
Nominal Size In Inches	Part Number	Box Quantity	Master Pack	Approx. Net Wt.	Dim. A	Dim. B
1/4	31186	50	1000	0.013	15/64	41/64
3/8	31190	50	1000	0.024	9/32	23/32
1/2	31194	100	1000	0.035	5/16	25/32
5/8	31198	25	250	0.059	5/16	1
3/4	31202	50	500	0.076	13/32	1 3/16
1	31206	25	250	0.134	7/16	1 7/16
1 1/4	31212	25	200	0.229	17/32	1 9/16
1 1/2	31216	20	160	0.343	19/32	1 3/4
2	31220	10	80	0.625	11/16	2 3/32
2 1/2	31224	5	40	0.965	29/32	2 7/16
3	31228	3	24	1.470	1	2 11/16
*3 1/2	31232	1	16	2.100	1 5/32	3
4	31236	1	8	3.340	1 9/32	3 1/2

WROT		CAST			
<b>106</b>	<b>45° Elbow</b> Copper to Copper				
					
Nominal Size In Inches	Part Number	Box Quantity	Master Pack	Approx. Net Wt.	Dim. A
1/8	31082	50	1000	0.006	1/8
1/4	31086	50	1000	0.013	15/64
3/8	31090	50	1000	0.024	1/4
1/2	31096	100	1000	0.034	17/64
5/8	31102	25	250	0.056	5/16
3/4	31106	50	500	0.076	3/8
1	31120	25	250	0.137	13/32
1 1/4	31128	25	200	0.229	33/64
1 1/2	31134	20	160	0.343	19/32
2	31140	10	80	0.625	25/32
2 1/2	31148	5	40	0.970	7/8
3	31156	3	24	1.460	63/64
3 1/2	31162	1	16	2.180	1 5/32
4	31168	1	8	3.800	1 11/64
5	31170	1	6	6.564	1 13/32
6	31172	1	1	11.200	1 11/16
8	31174	1	1	27.900	2 1/4

WROT		CAST				
<b>107-C</b>	<b>90° Elbow-Close Ruff</b> Copper to Copper					
						
Nominal Size In Inches	Part Number	Box Quantity	Master Pack	Approx. Net Wt.	Dim. A	Dim. B
1/8	31260	50	1000	0.008	3/8	3/8
1/4	31262	50	1000	0.012	3/8	3/8
3/8	31266	50	1000	0.026	13/32	13/32
1/2	31272	100	1000	0.044	25/64	25/64
5/8	31280	25	250	0.069	17/32	17/32
3/4	31288	50	500	0.096	9/16	9/16
1	31296	20	200	0.208	47/64	47/64
1 1/4	31306	25	200	0.259	15/16	15/16
1 1/2	31314	20	120	0.371	1 11/64	1 11/64
2	31322	10	80	0.805	1 29/64	1 29/64
2 1/2	31330	5	40	1.180	1 21/32	1 21/32
3	31338	3	24	1.920	1 61/64	1 61/64
3 1/2	31346	1	8	2.728	2 7/32	2 7/32
4	31352	1	8	4.557	2 17/32	2 17/32
5	31360	1	1	8.586	3 1/8	3 1/8
6	31368	1	1	15.200	3 13/16	3 13/16
8	31371	1	1	37.000	5 1/8	5 1/8