

Fig. 185

One Hole Pipe Strap

Size Range: 3/4" through 2"

Finish: Galvanized steel

Service: Hanger for CPVC pipe in the horizontal position on the side of structural wood beams and Steel 20 Ga. (min) with hanger tab in the upward position only (Fig. A). It can also be used as a guide to limit movement of vertical CPVC pipe with the tab in the horizontal position.

Approvals: UL and ULC Listed.

Installation:

- Place hanger over pipe.
- Secure hanger to mounting surface with screws provided.

Features:

- Beveled edge design helps protect the CPVC pipe from any rough surface.
- Easily attaches to wood structure with #10 x 1" hex washer head self threading screw supplied with product. No pre-drilling required.

Ordering: Specify CPVC pipe size, figure number and description.

- Steel applications require one (1) #14 x 1" hex washer head self-drilling TEK screw. Not Supplied. Part Number STD-0090.

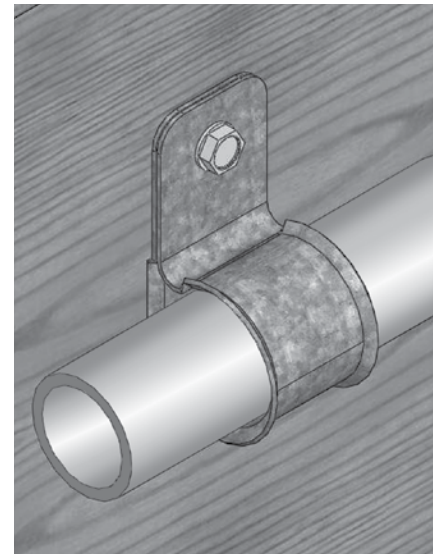
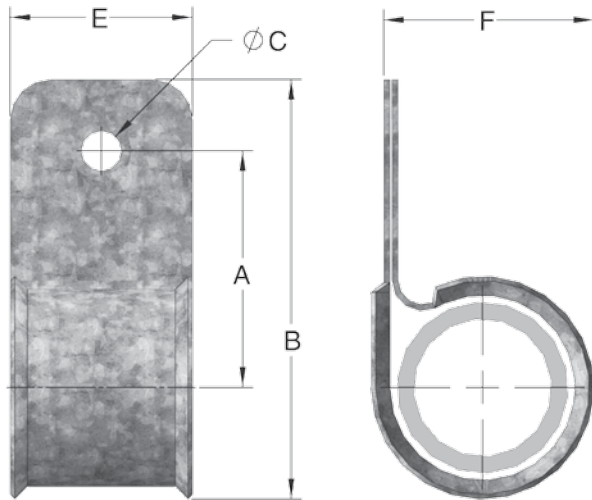


Fig. A

FIG. 185: WEIGHT (LBS) • DIMENSIONS (IN)

CPVC Pipe Size	A	B	ØC	E	F	Max. Hanger Spacing (FT.)	Approx. Weight/100 (lbs)
3/4	1 1/16	2 1/2	1/4	1 1/8	1 1/4	5 1/2	8
1	1 3/4	2 7/8	1/4	1 1/8	1 1/2	6	9
1 1/4	1 11/16	3	1/4	1 1/8	1 7/8	6 1/2	10
1 1/2	1 7/8	3 7/16	1/4	1 1/8	2 1/8	7	12
2	2	3 3/8	1/4	1 1/8	2 5/8	8	14