

Fig. 186

Two Hole Pipe Strap

Size Range: 3/4" through 2"

Finish: Galvanized steel

Service: Hanger for CPVC pipe in the horizontal position on the bottom and side of structural wood beams, composite beams and Steel 20 Ga. (min.) (Fig. A, C respectively). Can be used as a restrainer when installed on top of structural wood beams (Fig. B), for limiting pipe movement due to thrust loads during sprinkler system start-up. It can also be used as a guide to limit movement for pipe in the vertical position. When used on composite wood beams, web thickness must be 3/8" or greater.

Approvals: UL and ULC Listed.

Installation:

- Snap hanger over pipe. Dimples will prevent hanger from falling off pipe.
- Secure hanger to mounting surface with screws provided.
- Do not make adjustments to hanger mounting flanges that result in clamping the pipe to the mounting surface. Pipe must be allowed to move freely through hanger.

Features:

- Dimples secure hanger to pipe for quick installation.
- Beveled edge design helps protect the CPVC pipe from any rough surface.
- Easily attaches to wood structure with #10 x 1" hex washer head self threading screw supplied with product. No pre-drilling required.

Ordering: Specify CPVC pipe size, figure number and description.

- Steel applications require two (2) #14 x 1" hex washer head self-drilling TEK screws. Not Supplied. Part Number STD-0090.

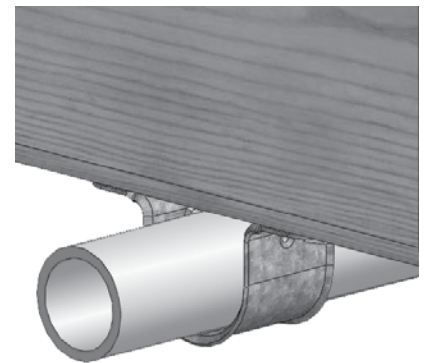


Fig. A

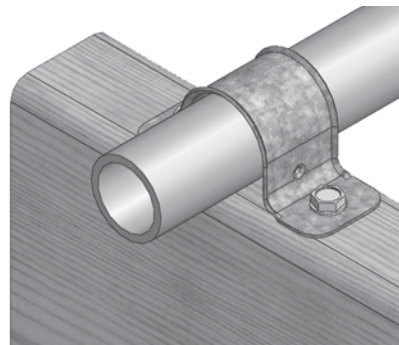


Fig. B

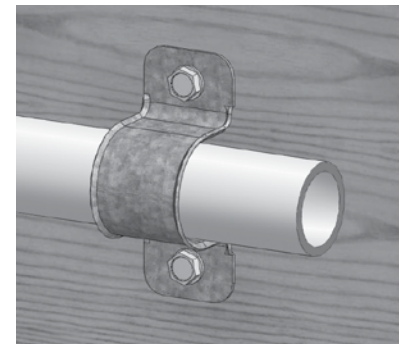


Fig. C

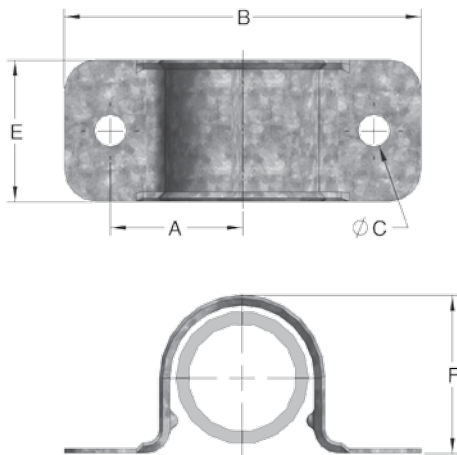


FIG. 186: WEIGHT (LBS) • DIMENSIONS (IN)

CPVC Pipe Size	A	B	øC	E	F	Max. Hanger Spacing (FT.)	Approx. Weight/100 (lbs)
3/4	1	2 ¹ / ₁₆	1/4	1 ¹ / ₈	1 ¹ / ₈	5 ¹ / ₂	5
1	1 ¹ / ₄	3 ¹ / ₄	1/4	1 ¹ / ₈	1 ¹ / ₂	6	6
1 ¹ / ₄	1 ⁵ / ₁₆	3 ³ / ₈	1/4	1 ¹ / ₈	1 ¹¹ / ₁₆	6 ¹ / ₂	7
1 ¹ / ₂	1 ⁹ / ₁₆	3 ⁷ / ₈	1/4	1 ¹ / ₈	2 ¹ / ₈	7	8
2	1 ¹³ / ₁₆	4 ⁵ / ₁₆	1/4	1 ¹ / ₈	2 ⁹ / ₁₆	8	9