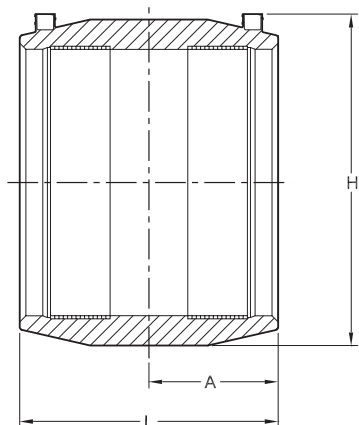


Electrofusion Fittings: Large Diameter Couplings

NOTE: Operating Pressure is 200 psi for PE4710 Couplings in allowable applications



EF LARGE DIAMETER COUPLING DIMENSIONS

| Nominal Size | H | L | A |
|--------------|-------|-------|------|
| 14" IPS | 17.24 | 12.13 | 6.06 |
| 14" DIPS | 19.65 | 13.54 | 6.77 |
| 16" IPS | 19.65 | 13.54 | 6.77 |
| 16" DIPS | 22.13 | 14.96 | 7.48 |
| 18" IPS | 22.13 | 14.96 | 7.48 |
| 18" DIPS | 24.57 | 16.46 | 8.23 |
| 20" IPS | 24.57 | 16.46 | 8.23 |
| 20" DIPS | 27.21 | 17.95 | 8.98 |
| 22" IPS | 27.21 | 17.95 | 8.98 |
| 24" IPS | 30.59 | 19.50 | 9.75 |
| 24" DIPS | 31.69 | 19.50 | 9.75 |

(PE3408/PE4710) LARGE DIAMETER ELECTROFUSION COUPLINGS

| Size | Description | Pin Type | Part Number | Pack. Qty. | Wt. | AWWA |
|----------|------------------|----------|-------------|------------|--------|------|
| 14" IPS | ASTM D2513/F1055 | 4.7 S | 10000202 | 1 | 35.19 | YES |
| 16" IPS | ASTM D2513/F1055 | 4.7 S | 10000204 | 1 | 47.10 | YES |
| 18" IPS | ASTM D2513/F1055 | 4.7 S | 10000207 | 1 | 65.60 | YES |
| 20" IPS | ASTM D2513/F1055 | 4.7 S | 10000210 | 1 | 91.00 | YES |
| 22" IPS | ASTM D2513/F1055 | 4.7 S | 10000213 | 1 | 118.00 | YES |
| 24" IPS | ASTM D2513/F1055 | 4.7 S | 10000216 | 1 | 184.00 | YES |
| 26" IPS | ASTM D2513/F1055 | 4.7 S | 10004581 | 1 | 155.00 | - |
| 14" DIPS | ASTM D2513/F1055 | 4.7 S | 10000205 | 1 | 57.00 | YES |
| 16" DIPS | ASTM D2513/F1055 | 4.7 S | 10000208 | 1 | 71.00 | YES |
| 18" DIPS | ASTM D2513/F1055 | 4.7 S | 10000211 | 1 | 94.00 | YES |
| 20" DIPS | ASTM D2513/F1055 | 4.7 S | 10000214 | 1 | 125.00 | YES |
| 24" DIPS | ASTM D2513/F1055 | 4.7 S | 10000218 | 1 | 176.00 | YES |

Call for availability of other sizes and dimensions

4.7R = 4.7 Pin with Resistor

4.7S = 4.7 Solid Pin

NOTE: Large Diameter Couplings are available only to approved Distributors.

Call for information about distributors in your area.