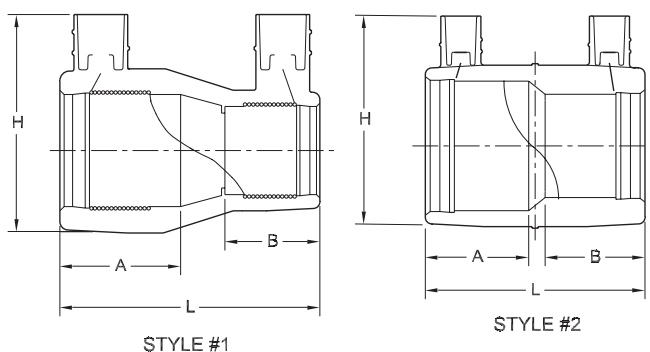


Electrofusion Fittings: Reducers



EF REDUCER DIMENSIONS

Nominal Size	Style	H	L	A	B
¾" IPS × ½" CTS	1	2.50	3.28	1.25	1.47
¾" IPS × ½" IPS	1	2.50	3.28	1.47	1.55
1" CTS × ½" CTS	1	2.50	3.28	1.31	1.47
1" CTS × ¾" IPS	2	2.50	3.28	1.36	1.44
1" IPS × ½" CTS	1	2.60	3.28	1.46	1.46
1" IPS × ½" IPS	1	2.60	3.28	1.46	1.53
1" IPS × ¾" IPS	1	2.63	3.28	1.42	1.43
1" IPS × 1" CTS	1	2.63	3.28	1.42	1.43
1¼" CTS × 1" CTS	1	2.56	3.30	1.53	1.52
1¼" CTS × 1" IPS	2	2.56	3.30	1.55	1.55
1¼" IPS × 1" IPS	2	3.00	3.70	1.88	1.57

Call for availability of other sizes and dimensions

4.7R = 4.7 Pin with Resistor

4.7S = 4.7 Solid Pin

** Indicates a kit: Kit consists of 1 electrofusion coupling and 1 butt fusion reducer.

(PE2406/PE2708) ELECTROFUSION REDUCERS

Max Size	Minimum Size	Pin Type	Part Number	Pack. Qty.	Wt.	CSA
¾" IPS	½" CTS	4.7 R	5757069	40	0.133	YES
¾" IPS	½" IPS	4.7 R	10000477	40	0.140	-
1" CTS	½" CTS	4.7 R	10000481	40	0.135	-
1" CTS	¾" IPS	4.7 R	10000479	40	0.136	-
1" IPS	½" CTS	4.7 R	5757070	30	0.167	YES
1" IPS	½" IPS	4.7 R	5757072	30	0.184	YES
1" IPS	¾" IPS	4.7 R	5757073	30	0.175	YES
1" IPS	1" CTS	4.7 R	5757071	30	0.160	YES
1¼" CTS	1" CTS	4.7 R	10000518	40	0.160	-
1¼" CTS	1" IPS	4.7 R	5757068	30	0.150	-
1¼" IPS	1" IPS	4.7 R	5757074	40	0.275	YES
2" IPS	1¼" IPS	4.7 R	5753257	30	0.40	-
3" IPS**	2" IPS	4.7 R	5753260	25	0.50	-
4" IPS**	2" IPS	4.7 R	5753262	20	0.60	-
4" IPS**	3" IPS	4.7 R	5753264	20	0.65	-
6" IPS**	4" IPS	4.7 R	5753266	10	1.25	-

(PE3408/PE4710) ELECTROFUSION REDUCERS

Max Size	Minimum Size	Pin Type	Part Number	Pack. Qty.	Wt.	AWWA
¾" IPS	½" CTS	4.7 R	10004595	40	0.15	YES
1" CTS	¾" IPS	4.7 R	10008849	40	0.17	-
1" IPS	½" CTS	4.7 R	10003869	30	0.17	YES
1" IPS	¾" IPS	4.7 R	10003816	30	0.19	YES
1" IPS	1" CTS	4.7 R	10004629	30	0.17	YES
1¼" CTS	1" IPS	4.7 R	10004630	30	0.18	YES
1¼" IPS	1" CTS	4.7 R	10008218	40	0.33	-
1¼" IPS	1" IPS	4.7 R	10004625	40	0.20	YES
2" IPS	1¼" IPS	4.7 R	10004632	30	0.50	YES