



AUTOMATIC SPRINKLERS GL SERIES DRY TYPE RECESSED PENDENT TO MEET IBC-ASCE/SEI 7 CODES FOR SEISMIC AREAS C, D & E

DESCRIPTION AND OPERATION

The Globe GL Series Dry Type Pendent Sprinkler is designed for use in special applications such as freezing environments and conditions where sediment or foreign materials might accumulate in ordinary drop nipples.

The Globe GL Series Dry Type Pendent Sprinkler utilizes a frangible glass ampule sprinkler. At the ampule's rated temperature, the sprinkler opens releasing the bulb seat, causing the inner tube assembly to move, allowing spring assembly to pivot alongside the inner tube. At this time, water flows through the sprinkler and is distributed by the deflector, in an approved discharge pattern.

The heart of Globe's GL Series sprinkler proven actuating assembly is a hermetically sealed frangible glass ampule that contains a precisely measured amount of fluid. When heat is absorbed, the liquid within the bulb expands increasing the internal pressure. At the prescribed temperature the internal pressure within the ampule exceeds the strength of the glass causing the glass to shatter. This results in water discharge which is distributed in an approved pattern.

The use of the 4 1/2" diameter recessed escutcheon allows for 1" of clearance around the sprinkler body, and meets the IBC-ASCE/SEI 7 requirements for use in seismic design categories C, D & E.

The sprinkler and escutcheon are not factory assembled. Assembly is done at the time of installation.

TECHNICAL DATA

- See reverse side for Approvals and Specifications.
- Temperature Ratings - 135°F (57°C), 155°F (68°C), 175°F (79°C), 200°F (93°C), 286°F (141°C)
- Water Working Pressure Rating - 175 psi (12 Bars)
- Factory tested hydrostatically to 500 psi (34 Bars)
- Maximum low temperature glass bulb rating is -67°F (-55°C)
- Frame - bronze • Deflector - brass • Screw - brass
- Bulb seat - brass • Spring - teflon coated nickel alloy
- Retainer - brass • Pin - stainless steel • Torsion spring - stainless steel • Bulb - glass with glycerin solution, 5mm
- Orifice insert - brass • 3/4" or 1" NPT • Outer tube - galvanized steel pipe • Inner tube - stainless steel



**RECESSED PENDENT
WITH OPTIONAL 4 1/2" SEISMIC
RECESSED ESCUTCHEON**

SPRINKLER TEMPERATURE RATING/CLASSIFICATION and COLOR CODING

CLASSIFICATION	AVAILABLE SPRINKLER TEMPERATURES		BULB COLOR	N.F.P.A. MAXIMUM CEILING TEMPERATURE	
ORDINARY	135°F/155°F	57°C/68°C	ORANGE/RED	100°F	38°C
INTERMEDIATE	175°F/200°F	79°C/93°C	YELLOW/GREEN	150°F	66°C
HIGH	286°F	141°C	BLUE	225°F	107°C

AUTOMATIC SPRINKLERS GL SERIES DRY TYPE RECESSED PENDENT TO MEET IBC-ASCE/SEI 7 CODES FOR SEISMIC AREAS C,D & E

SPECIFICATIONS

NOMINAL "K" FACTOR	THREAD SIZE	LENGTH	FINISHES
5.6 (80 metric)	3/4" or 1" NPT	cULus Variable to 48"	Bright Chrome White Polyester
8.1 (116 metric)	1" NPT	FM Variable to 36"	

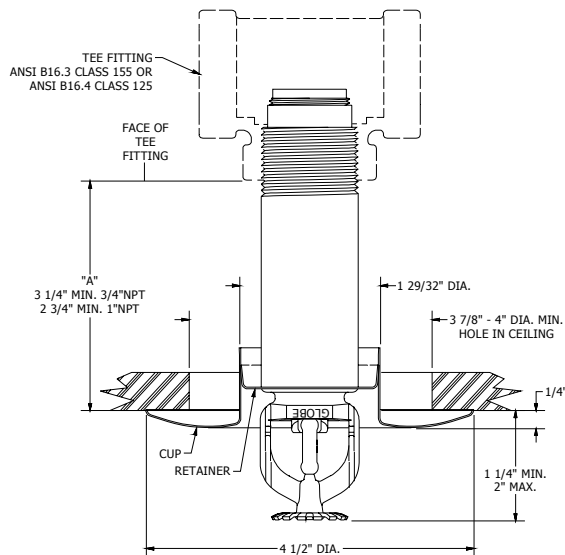
NOTE: METRIC CONVERSIONS ARE APPROXIMATE.
cULus LISTED CORROSION RESISTANT: POLYESTER
MUST BE SPECIFIED ON ORDER.

APPROVALS

STYLE	SIN MODEL	K FACTOR	THREAD SIZE	135°F 57°C	155°F 68°C	175°F 79°C	200°F 93°C	286°F 141°C	cULus	* FM	NYC - DOB MEA 101-92-E
RECESSED PENDENT	GL5679	5.6	1" NPT	X	X	X	X	X	X	X	X
	GL5680	5.6	3/4" NPT	X	X	X	X	X	X	-	X
	GL8179	8.1	1" NPT	X	X	X	X	X	X	-	X

NOTE: LISTED FOR ALL HAZARDS
*FM APPROVALS FOR 155°F AND 200°F ONLY

CROSS SECTION



**PENDENT WITH OPTIONAL IBC
SEISMIC RECESSED ESCUTCHEON**

IMPORTANT INSTALLATION DATA

Globe GL Series Dry Pendent sprinklers should be installed in accordance with the requirements set forth in NFPA 13. These sprinklers are to be installed using a pipe wrench applied to the outer tube. When this is not possible, the proper sprinkler head wrench may be used with extreme care for lengths up to approximately 18". Excessive force may distort the frame thus destroying the unit.

When installed in a wet system extending into a freezing area see chart on Dry Caution sheet for minimum exposed barrel length to prevent ice plugs. Please refer to our Dry Caution sheet for further important installation data.

ORDERING INFORMATION

SPECIFY

- Quantity • Model Number • Style
- Orifice • Temperature • Finishes desired
- Quantity - Recessed Wrenches - P/N 337014
- Quantity - Protective Caps - P/N 327109-CAP (Friction Fit Recessed)
- "A" Dimension - Distance from face of fitting to the finished ceiling line regardless of escutcheon used.

GLOBE® PRODUCT WARRANTY

Globe agrees to repair or replace any of its own manufactured products found to be defective in material or workmanship for a period of one year from date of shipment.

For specific details of our warranty, please refer to Price List Terms and Conditions of Sale (Our Price List).

