

MODEL

## SJ-C300 BUTTERFLY VALVE FOR COPPER TUBING (CTS)

The **Shurjoint** Model SJ-C300 is a lever handle bronze body butterfly valve designed for use with grooved copper tubing (CTS), fittings and couplings. The lead-free bronze body conforms to ASTM B-584

copper alloy C90500 (88-10-0-2) or C89836 Bismuth bronze which are UL classified in accordance with ANSI/NSF 61 and annex G for potable water use.



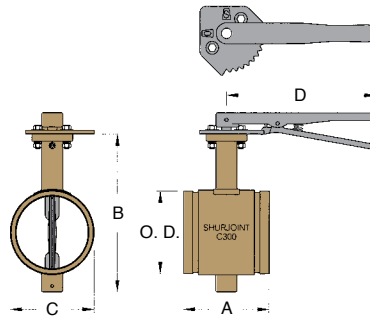
### Pressure-Temperature Rating

Nom. Ratings	Working Pressure (Type K Copper Tubing)	Shell Test @73°F / 23°C	Max. Service Temperature
CWP	300 psi @100°F 20 Bar @38°C	450 psi 32 Bar	EPDM: 230°F / 110°C

\*Working pressure is for connection with roll-grooved Type K copper tubing.  
\*Seat test: 100% working pressure.



A SJ-C300 butterfly valve installed in a hot water system



Nominal Size mm / in	Pipe O. D. mm / in	Dimensions				Weight Kgs / Lbs
		A mm / in	B mm / in	C mm / in	D mm / in	
50	54	81	135	57	254	2.7
2	2.125	3.19	5.31	2.45	10.0	5.9
65	66.7	97	149	73	254	3.3
2½	2.625	3.82	5.87	2.87	10.0	7.3
80	79.4	97	163	83	254	3.5
3	3.125	3.82	6.42	3.27	10.0	7.7
100	104.8	116	208	111	254	5.0
4	4.125	4.57	8.19	4.37	10.0	11.0
125	130.2	148	248	136	254	7.7
5	5.125	5.83	9.77	5.36	10.0	16.9
150	155.6	148	274	163	254	7.7
6	6.125	5.83	10.79	6.42	10.0	16.9