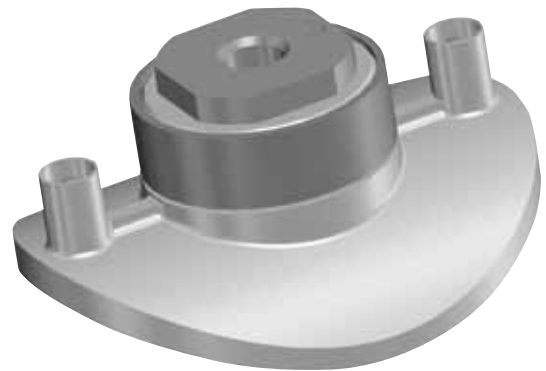


Electrofusion Fittings: Transition Saddles (Corp Saddles)

Outlet Material: Stainless 316

Compression Ring Material: Stainless 304



(PE3408/PE4710) ELECTROFUSION TRANSITION SADDLE w/Stainless Outlet & FPT Threads

Outlet Size	Main Size	Outlet Type	Pin Type	Clamp Type	Part Number	Pack. Qty.	Wt.	AWWA
¾" FPT	2" IPS	Stainless	4.7 R	B	10004667	10	2.10	YES
¾" FPT	3" IPS	Stainless	4.7 R	C	10004680	10	2.30	YES
¾" FPT	4" IPS/DIPS	Stainless	4.7 R	D/L	10004694	5	2.57	YES
¾" FPT	6" IPS/DIPS	Stainless	4.7 R	E/M	10004710	5	2.54	YES
¾" FPT	8" IPS	Stainless	4.7 R	H	10007759	10	2.32	YES
¾" FPT	8" DIPS	Stainless	4.7 S	H	10004640	15	2.37	YES
¾" FPT	10" IPS	Stainless	4.7 S	H	call	-	-	-
¾" FPT	10" DIPS	Stainless	4.7 S	H	10004654	15	2.64	YES
¾" FPT	12" IPS	Stainless	4.7 S	H	call	-	-	-
¾" FPT	12" DIPS	Stainless	4.7 S	H	call	-	-	-
1" FPT	2" IPS	Stainless	4.7 R	B	10004670	10	2.02	YES
1" FPT	3" IPS	Stainless	4.7 R	C	10004683	10	2.04	YES
1" FPT	4" IPS/DIPS	Stainless	4.7 R	D/L	10004697	5	2.07	YES
1" FPT	6" IPS/DIPS	Stainless	4.7 R	E/M	10004714	5	1.82	YES
1" FPT	8" IPS	Stainless	4.7 R	H	10007760	10	1.96	YES
1" FPT	8" DIPS	Stainless	4.7 S	H	call	-	-	-
1" FPT	10" IPS	Stainless	4.7 S	H	call	-	-	-
1" FPT	10" DIPS	Stainless	4.7 S	H	call	-	-	-
1" FPT	12" IPS	Stainless	4.7 S	H	10004663	10	2.31	YES
1" FPT	12" DIPS	Stainless	4.7 S	H	10004657	10	2.32	YES
1¼" FPT	2" IPS	Stainless	4.7 R	B	10004673	10	1.65	YES
1¼" FPT	3" IPS	Stainless	4.7 R	C	10004686	10	1.75	YES
1¼" FPT	4" IPS/DIPS	Stainless	4.7 R	D/L	10004700	5	2.13	YES
1¼" FPT	6" IPS/DIPS	Stainless	4.7 R	E/M	10004717	5	2.10	YES
1¼" FPT	8" IPS	Stainless	4.7 R	H	10007761	10	1.83	YES
1¼" FPT	8" DIPS	Stainless	4.7 S	H	call	-	-	-
1¼" FPT	10" IPS	Stainless	4.7 S	H	call	-	-	-
1¼" FPT	10" DIPS	Stainless	4.7 S	H	call	-	-	-
1¼" FPT	12" IPS	Stainless	4.7 S	H	call	-	-	-
1¼" FPT	12" DIPS	Stainless	4.7 S	H	call	-	-	-

Call for availability of other sizes and dimensions.

4.7R = 4.7 Pin with Resistor

4.7S = 4.7 Solid Pin