

SERIES 6700

CTS Copper Butterfly Valve

The lever handle bronze body butterfly valve is designed for use with grooved copper tubing (CTS), fittings and couplings. This valve features a 10 position lever handle, bronze body and EPDM rubber encapsulated disc. Both bronze valve body and the EPDM rubber disc obtained certification to ANSI/NSF 61 for use in potable water systems and is rated to 300 PSI.

MATERIAL SPECIFICATIONS

VALVE BODY:

ASTM B584 C89836; Bronze, Low Lead

DISC:

ASTM A536 Gr. 65-45-12; Ductile Iron

DISC ENCAPSULATION:

Grade "EP" EPDM Rubber: Service temperature range: -40°F to +250°F (-40°C to +121°C). Recommended for water service, diluted acids, alkaline solutions, and oil-free air.

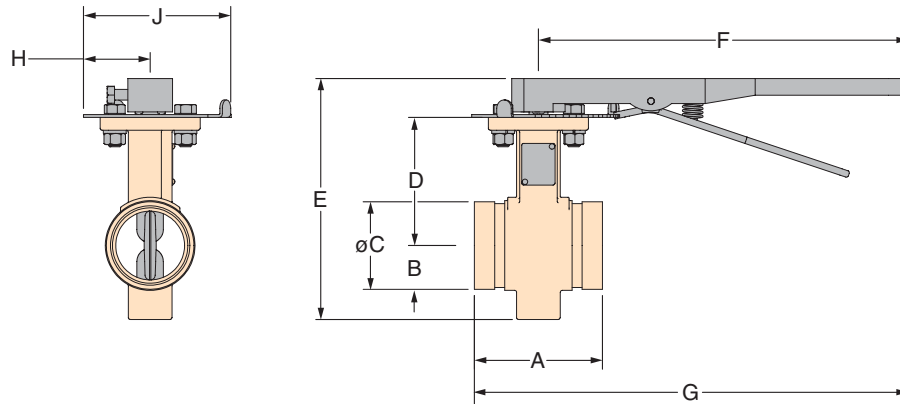
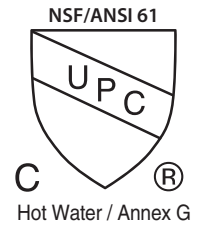
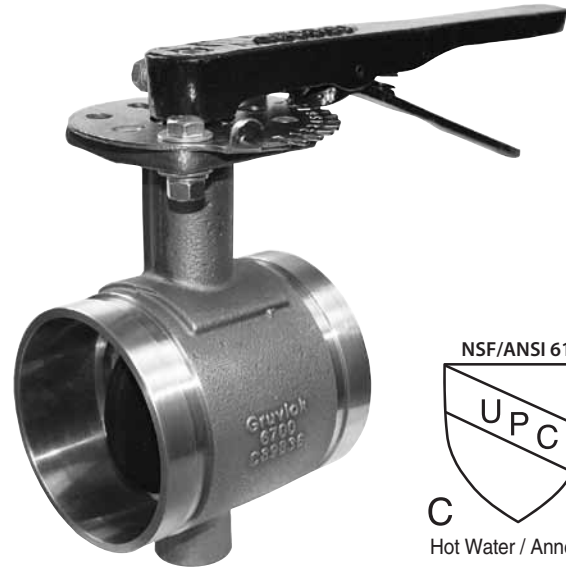
NOT RECOMMENDED FOR USE IN PETROLEUM APPLICATIONS.

UPPER & LOWER SHAFTS:

Stainless Steel Type 17-4PH; ASTM A564

CERTIFICATIONS:

ANSI/NSF61 for use in Cold +86F(+30C) and Hot +180F(+82C) potable water systems. Annex G. UPC.



SERIES 6700 CTS COPPER BUTTERFLY VALVE DIMENSIONS

Nominal Size	Copper Tube Diameter	Dimensions									Weight
		A	B	C	D	E	F	G	H	J	
In.	In./mm	In./mm	In./mm	In./mm	In./mm	In./mm	In./mm	In./mm	In./mm	In./mm	Lbs./kg
2½	2.625 66.7	3.77 95.8	2.22 56.4	2.63 66.7	3.83 97.3	7.20 182.5	10.50 266.7	12.39 314.6	2.00 50.8	4.43 112.5	4 1.8
3	3.125 79.4	3.77 95.8	2.60 65.9	3.13 79.4	4.08 130.5	7.84 198.2	10.50 266.7	12.39 314.6	2.00 50.8	4.43 112.5	5 2.3
4	4.125 104.8	4.63 117.6	3.10 78.7	4.13 104.9	4.72 119.9	8.97 227.8	10.50 266.7	12.81 325.5	2.00 50.8	4.43 112.5	8 3.8
5	5.125 130.2	5.88 149.4	3.85 97.8	5.13 130.2	5.22 132.6	10.27 260.9	10.50 266.7	13.44 341.4	2.00 50.8	4.43 112.5	14 6.4
6	6.125 155.6	5.88 149.4	4.36 110.8	6.13 155.6	5.75 146.2	11.31 287.3	10.50 266.7	13.44 341.4	2.00 50.8	4.43 112.5	18 8.1

- Introduction
- Couplings
- Outlets
- Fittings
- Valves & Accessories
- High Pressure
- Advanced Copper Method (IPS)
- CTS Copper System
- DI-LOK® Nipples
- Plain-End Fittings
- HDPE Couplings
- Socket-It® Fittings
- Stainless Steel Method
- Roll Groovers
- Installation & Assembly
- Special Coatings
- Design Services
- Technical Data
- Master Format 3 Part Specs.
- Pictorial Index