



**"THE INCH"
AUTOMATIC SPRINKLERS
MODEL GL5653
ONE INCH ADJUSTABLE
CONCEALED PENDENT**

DESCRIPTION AND OPERATION

The Globe GL5653 Adjustable Concealed Pendent Sprinkler has a low profile, aesthetically pleasing design. It offers the additional feature of greatly increased safety to life and should be used advisedly and under the direction of approving authorities having jurisdiction. The sprinkler is available with a nominal 1" of adjustment and a low profile cover plate assembly. All that is seen at the ceiling is a 3 5/16" diameter ceiling plate or an optional 2 3/4" diameter ceiling plate color finished to match the specifier's exact requirements. The GL Series Concealed Sprinkler may be virtually invisible as it does not interrupt the "smooth flow" of the ceiling. Globe's Concealed Sprinkler utilizes its 5mm frangible glass ampule which is located above the ceiling and concealed from view by the ceiling plate.

The provided protective cap needs to be removed in order to install the sprinkler with the proper wrench. The protective cap must be replaced on the sprinkler until the time the cover plate is to be installed. The "push on - screw off" designed cover plate is easily installed and with a nominal 1" inch of adjustment makes it easier to get a proper fit at the ceiling.

Operation of the sprinkler occurs when heat build up causes the solder holding the cover plate to the support shell to melt allowing the cover plate to fall clear. Continued heat build up causes the 5mm glass bulb to burst allowing the deflector to drop down and distribute water in an approved pattern to extinguish or control the fire.

TECHNICAL DATA

- See reverse side for Approval and Specifications.
- Temperature Ratings-
 - 135°F (57°C) Sprinkler, 135°F (57°C) Cover Plate
 - 155°F (68°C) Sprinkler, 135°F (57°C) Cover Plate
 - 155°F (68°C) Sprinkler, 155°F (68°C) Cover Plate
 - 175°F (79°C) Sprinkler, 155°F (68°C) Cover Plate
 - 200°F (93°C) Sprinkler, 155°F (68°C) Cover Plate
- Water Working Pressure Rating - 175 psi (12 Bars)
- Factory tested hydrostatically to 500 psi (34 Bars)
- Maximum low temperature glass bulb rating is -67°F (-55°C)
- Frame - bronze • Deflector - brass • Screw - brass
- Bulb Seat - brass • Spring - nickel alloy • Seal teflon
- Bulb - glass with alcohol based solution, 5mm size
- Drop Pin - stainless steel • Cover Plate - brass
- Upper Escutcheon Assembly - plated steel



3 5/16" diameter plate



2 3/4" diameter plate

**WHITE
ADJUSTABLE
CONCEALED PENDENT**

NOTE: *Globe's wrench P/N 332765 must be used to install the sprinkler.*

• SPRINKLER TEMPERATURE RATING/CLASSIFICATION and COLOR CODING

CLASSIFICATION	AVAILABLE SPRINKLER TEMPERATURES		BULB COLOR	N.F.P.A. MAXIMUM TEMPERATURE	CEILING
ORDINARY	135°F/155°F	57°C/68°C	ORANGE/RED	100°F	38°C
INTERMEDIATE	175°F/200°F	79°C/93°C	YELLOW/GREEN	150°F	66°C

AUTOMATIC SPRINKLERS MODEL GL5653 ADJUSTABLE CONCEALED PENDENT

SPECIFICATIONS

NOMINAL "K" FACTOR		THREAD SIZE	LENGTH	FINISHES
5.6	(80 metric)	1/2" NPT	2 1/2" (6.4 cm)	Bright Chrome White Painted Bright Brass ¹ Satin Chrome Other Painted Finishes ¹

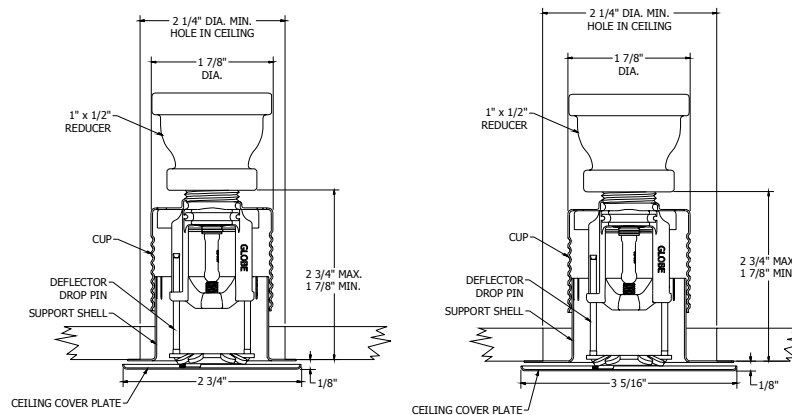
NOTE: METRIC CONVERSIONS ARE APPROXIMATE

¹FINISHES AVAILABLE ON SPECIAL ORDER.

APPROVALS

STYLE	SIN MODEL	K FACTOR	135°F (57°C) with plate 135°F (57°C)	155°F (68°C) with plate 135°F (57°C)	155°F (68°C) with plate 155°F (68°C)	175°F (79°C) with plate 155°F (68°C)	200°F (93°C) with plate 155°F (68°C)	cULus	FM	NYC-DOB MEA 101-92-E
Adjustable Concealed Pendent	GL5653	5.6	X	X	X	X	X	X	X	X

CROSS SECTION



OPTIONAL COVER PLATE SIZE	WHITE 135°F PART #	WHITE 155°F PART #	CHROME 135°F PART #	CHROME 155°F PART #
2 3/4"	332726	332731	332724	332729
3 5/16"	332706	332711	332704	332709

ORDERING INFORMATION

SPECIFY

- Quantity • Model Number • Style
- Orifice • Thread Sizes • Temperature
- Finishes desired
- Quantity - Adjustable Concealed Wrenches - P/N 332765

GLOBE® PRODUCT WARRANTY

Globe agrees to repair or replace any of its own manufactured products found to be defective in material or workmanship for a period of one year from date of shipment.

For specific details of our warranty please refer to Price List Terms and Conditions of Sale (Our Price List).



4077 AIRPARK DRIVE, STANDISH, MICHIGAN 48658

989-846-4583

1-800-248-0278

FAX 989-846-9231

www.globesprinkler.com