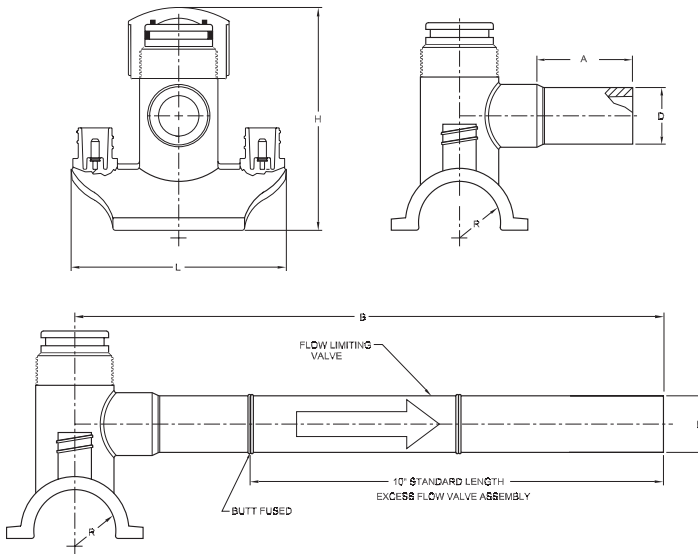
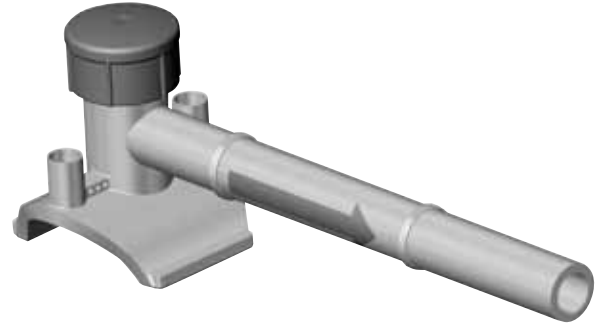


Electrofusion Fittings: Tapping Tees w/Excess Flow Valve



ELECTROFUSION TAPPING TEES w/Excess Flow Valve

Main Size	Outlet Size	Cutter Size & Material	Pressure Rating	Part No.	Pack. Qty.	Wt.	CSA	IAPMO	AWWA	FM
<p>GF Central Plastics offers factory-installed excess flow valves from most EFV manufacturers on our electrofusion tapping tees. When calling for pricing and availability, please provide the following information: base size, outlet size, EFV brand and EFV model.</p>										

Call for availability of other sizes and dimensions.