

# PIBV2 Supervisory Switch



## Models Available

PIBV2	<b>Post Indicator/Butterfly Valve Supervisory Switch</b>
PIBV2A	<b>Post Indicator/Butterfly Valve Supervisory Switch (ULC/Canadian)</b>

## Replacement Parts

A3010-00	Replacement Hardware Kit
546-7000	Cover Tamper Switch Kit
S07-66-XX	Tamper Screws for Cover
WFDW	Cover Wrench
HEXW	Replacement Hex Wrench



## Product Overview

**NEMA 3R rated enclosure**

**Bi-directional actuator accommodates rising or falling flags**

**Single side conduit entry does not require right angle fittings**

**Adjustable length actuator eliminates the need for cutting the shaft**

**Accommodates up to 12 AWG wire**

**Two SPDT contacts are enclosed in a durable terminal block for added strength**

**100% synchronization activates both alarm panel and local bell simultaneously**

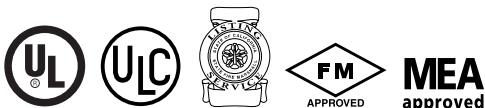
**System Sensor's PIBV2 supervisory switch monitors the open position of post indicator and butterfly control valves.**

**Robust Construction.** The PIBV2 consists of a rugged housing, intended for indoor and outdoor use. When installed with the actuator in the vertical position, the PIBV2 is NEMA 3R rated per UL.

**Application Flexibility.** The PIBV2 features a flexible design that accommodates post indicator, butterfly, and many other types of wall post, recessed wall post and pressure reducing valves. The PIBV2's unique bi-directional actuator allows the unit to be installed in either rising or falling flag installations.

**Simplified Operation.** Installation is made easier with the PIBV2's single side conduit entrance. By providing a direct conduit pathway to the electrical source, right angle fittings are not required. Installation is further simplified by the PIBV2's adjustable length actuator, which eliminates the need for cutting the shaft.

**Reliable Performance.** The PIBV2 is equipped with tamper resistant cover screws to prevent unauthorized entry. Inside, two sets of SPDT (Form C) synchronized switches are enclosed in a durable terminal block to assure reliable performance.



## Engineering Specifications

Model shall be model number PIBV2 Post Indicator Butterfly Valve supervisory switch as manufactured by System Sensor. PIBV2 shall be installed on each valve as designated on the drawings and/or as specified herein. Switches shall be mounted so as not to interfere with the normal operation of the valve and shall be adjusted to operate within two revolutions of the valve control or when the valve flag has moved no more than one-fifth of the distance from its normal position. The mechanism shall be contained in a weatherproof die cast metal housing, which shall provide a side entrance for 1/2" conduit and incorporate a 1/2" NPT nipple for attachment to the valve body. A grounding provision is provided. The switch assembly shall include two switches each with a rated capacity of 10 Amp @ 125/250V AC and 2.5 Amp @ 24V DC. The cover shall contain tamper-resistant screws for which a security wrench will be provided with each switch. PIBV2 shall be Underwriters Laboratories listed for indoor or outdoor use. The PIBV2 shall be Factory Mutual, CSFM, and MEA approved.

### Standard Specifications

Contact Ratings  
Two sets of SPDT (Form C)  
10.0 A @ 125/250V AC  
2.5 @ 6/12/24V DC

Overall Switch Dimensions  
4 1/4"H x 3 1/2"W x 3 1/4"D  
(10.8cm x 8.9cm x 8.2cm)

Maximum Stem Extension  
2 1/8" (5.4 cm)

Mounting  
1/2" NPT nipple

Conduit Entrances  
One single side open for 1/2" conduit

Operating Temperature Range  
32°F to 120°F (0°C to 49°C)  
Note: The PIBV2 will operate from -40°F to 120°F (-40°C to 49°C); however UL does not test control valve supervisory switches below 32°F (0°C).

Enclosure Rating  
UL indoor/outdoor  
NEMA 3R when mounted with the actuator vertical

Cover Tamper Switch  
Standard with ULC model  
Optional for UL model, part no. 546-7000

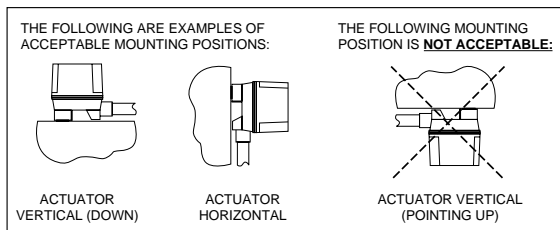
Shipping Weight  
2 lbs. (0.9 kg)

Service Use  
Automatic Sprinkler: NFPA 13  
One or Two Family Dwelling: NFPA 13D  
Residential Occupancies up to 4 stories: NFPA 13R  
National Fire Alarm code: NFPA 72

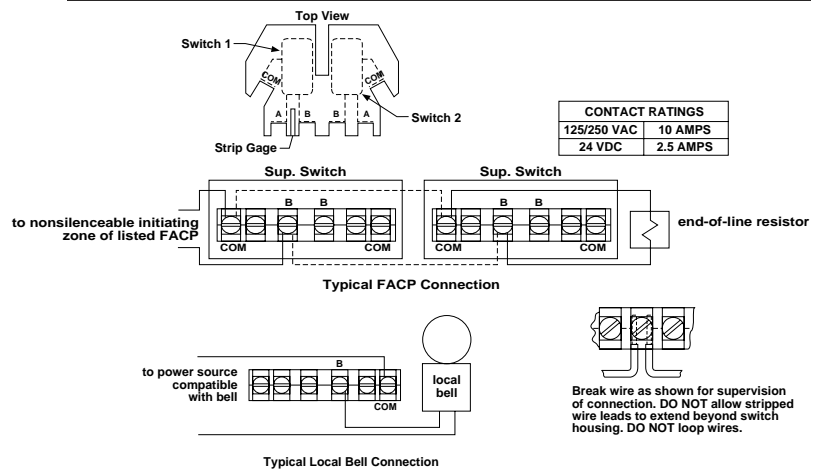
Warranty  
3 years

U.S. Patent No.  
5,213,205

### PIBV2 Mounting



### Electrical Connections for PIBV2



### Ordering Information

Model Number	Description
PIBV2	Post Indicator/Butterfly valve supervisory switch
PIBV2A	Post Indicator/Butterfly valve supervisory switch (ULC model)

Part Number	Description
A3010-00	Replacement hardware kit (wrenches, screw pack)
546-7000	Cover tamper switch kit
S07-66-XX	Tamper screws for cover
WFDW	Replacement tamper proof wrench for cover
HEXW	Replacement hex wrench

### System Sensor Sales and Service

<b>System Sensor Headquarters</b> 3825 Ohio Avenue St. Charles, IL 60174 Ph: 800/SENSOR2 Fx: 630/377-6495 Documents-on-Demand 800/736-7672 x3 www.systemsensor.com	<b>System Sensor Canada</b> Ph: 905.812.0767 Fx: 905.812.0771  <b>System Sensor Europe</b> Ph: 44.1403.276500 Fx: 44.1403.276501	<b>System Sensor in China</b> Ph: 86.29.524.6253 Fx: 86.29.524.6259  <b>System Sensor in Singapore</b> Ph: 65.6273.2230 Fx: 65.6273.2610	<b>System Sensor – Far East</b> Ph: 85.22.191.9003 Fx: 85.22.736.6580  <b>System Sensor – Australia</b> Ph: 613.54.281.142 Fx: 613.54.281.172	<b>System Sensor – India</b> Ph: 91.124.637.1770 x.2700 Fx: 91.124.637.3118
---	--	--	---	---