



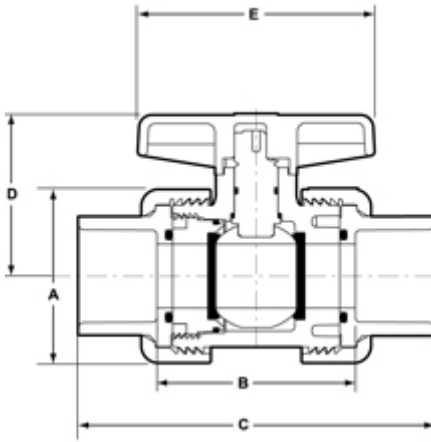
FlameGuard™ CPVC Fire Sprinkler Piping Products

FlameGuard™ CPVC Drain & Check Valves For NFPA 13D Applications Only

Specifications

Drain Valve:

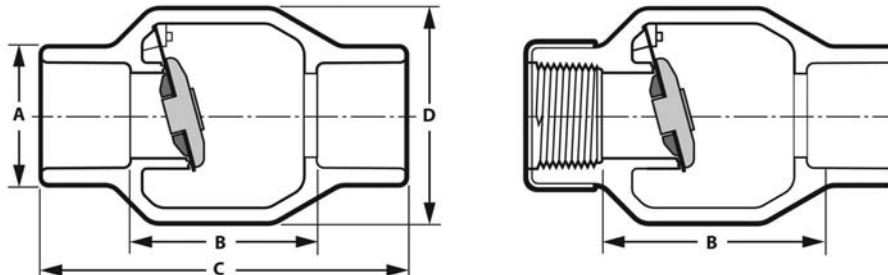
Nominal Size Range	3/4", 1"
Type	1/4-Turn Ball Valve, True Union Style
Material	PVC w/CPVC Orange End Connector
Seats	PTFE/HDPE
Seals	EPDM
Handle	Polypropylene, Red
End Connections	Socket x Socket



Socket x Socket Part Number	Nominal Size	Dimension Reference (inches, ± 1/16)				
		A	B	C	D	E
3622-007FG	3/4	2-1/4	2-3/4	4-3/4	2	3
3622-010FG	1	2-1/2	2-7/8	5-1/8	2-5/16	3-7/16

Check Valve:

Nominal Size Range	1", 1-1/4", 1-1/2"
Type	Swing Check, Maintenance-free Sealed Unit
Material	CPVC, Orange
Seat	EPDM
End Connections	Socket x Socket Special Reinforced (SR) Female Plastic Thread Inlet x Socket



Socket x Socket Part Number	SR Thread x Socket Part Number	Nominal Size	Dimension Reference (inches, ± 1/16)					C _v (GPM)
			A	B		C	D	
				Socket	SR Thread			
S1520-10CO	S1520-10FSRSCO	1	1-11/16	2-5/16	2-15/16	4-9/16	2-5/8	33
S1520-12CO	S1520-12FSRSCO	1-1/4	2-1/16	2-15/16	3-5/8	5-1/2	3-3/8	42
S1520-15CO	S1520-15FSRSCO	1-1/2	2-7/16	3	3-11/16	5-5/8	3-3/8	89

NOT FOR USE WITH COMPRESSED AIR OR GAS

Spears® Manufacturing Company