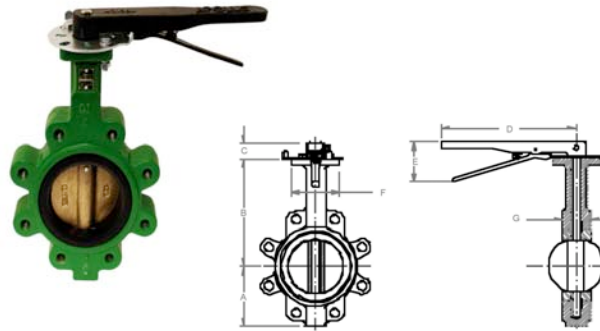


BUTTERFLY VALVES LC149 SERIES

Contractor Grade Butterfly Valves

Apollo International LC149 Series

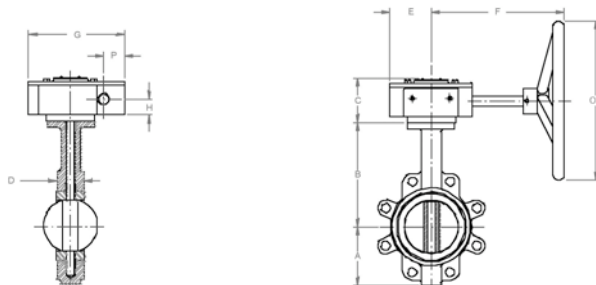
The Apollo LC149 Series cast iron butterfly valves are ideal for use in Industrial and HVAC/Mechanical applications. The LC149 Series is a lug style valve designed to be economical yet have high pressure capabilities.



FEATURES

- Compatible with ANSI 125# & 150# flanges
- ISO 5211 top plate allows choice of Apollo pneumatic actuators and manual operators
- "Double-D" stem design
- Conforms to MSS SP-67 & API 609 & ISO 5752
- Suitable for end of line service to rated pressure
- Extended neck for up to 2" of insulation
- Max operating pressure, 200 psi; temperature range, -30°F to 275°F

Size (in)	Dimensions						
	A	B	C	D	E	F	G
2	3.25	6.38	1.25	10.50	3.00	2.70	1.75
2-1/2	3.75	6.88	1.25	10.50	3.00	2.70	1.88
3	4.00	7.13	1.25	10.50	3.00	2.70	1.88
4	4.88	7.88	1.25	10.50	3.00	2.70	2.13
5	5.38	8.38	1.25	10.50	3.00	2.70	2.25
6	5.88	8.88	1.25	10.50	3.00	2.70	2.25
8	7.13	10.25	2.00	14.00	3.75	4.61	2.50



Size (in)	Dimensions									
	A	B	C	D	E	F	G	H	P	ØR
6	5.88	8.88	3.38	2.25	3.09	9.16	7.20	1.45	1.58	11.88
8	7.13	10.25	3.38	2.50	3.25	9.48	8.00	1.62	1.50	11.88
10	8.25	11.50	3.38	2.75	3.25	9.48	8.00	1.62	1.50	11.88
12	9.75	13.25	3.38	3.13	3.25	9.48	8.00	1.62	1.50	11.88

*Torque Rating (in. lbs.)

Valve Size (in.) (mm)	Full Rated Pressures (psig)				Flow Cv Full Open
	ΔP50	ΔP100	ΔP150	ΔP200	
2 50	100	106	111	117	115
2.5 65	150	163	176	189	196
3 80	207	220	232	244	302
4 100	290	323	357	390	600
5 125	423	481	540	598	1022
6 150	599	691	783	875	1579
8 200	1060	1183	1307	1430	3136
10 250	1671	1872	2074	2275	5340
12 300	2568	2795	3023	3250	8250

*Lubricating media service

LC149 - XX - X

Series	Size	Operator
LC149 = Lug body	02 = 2"	0 = None (bare stem)
	25 = 2.5"	1 = 10 position handle
	03 = 3"	2 = Gear operator
	04 = 4"	3 = Infinite position handle
	05 = 5"	4 = Locking handle
	06 = 6"	5 = Gear operator w/ chainwheel
	08 = 8"	7 = Locking gear operator
	10 = 10"	8 = Locking gear operator w/chainwheel