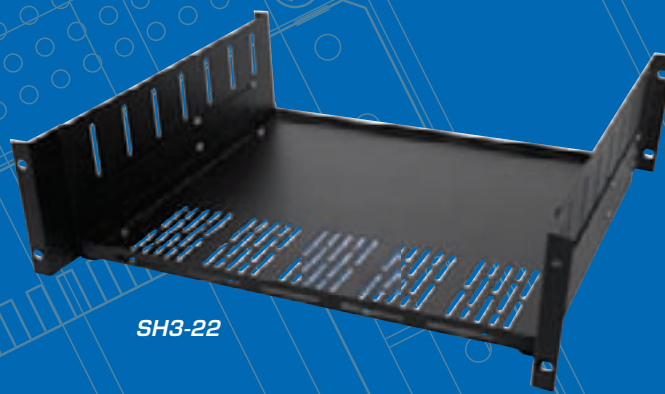


SH3-22
(Shown With SH-CK
Clamp Kit)



SH3-22

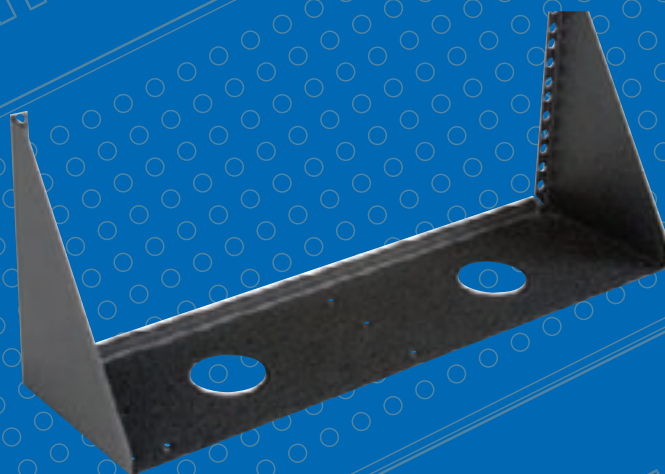
SH Series - Clamping Shelves

Clamping rack shelf systems are designed specifically to secure equipment that is not easily rack mounted, such as VCRs and "prosumer" A/V surround sound receivers into any Atlas Sound wall mount cabinet or vertical rack. SH Series shelves offer a sturdy, side, rear, and top support to ensure that once the equipment is placed on the shelf, it's locked in for the duration. Three Shelves In One – Modular design allows you to choose the right shelf system for each job. The formed construction 16-gauge shelves are offered in three EIA compliant heights (2 RU, 3 RU, and 4 RU), 15" or 22" depths, and come equipped with slots on the sides and bottom for optimum ventilation. For applications where "clamping" brackets are required, specify model SH-CK. The rubber-lined clamps securely hold components from the top. Adjustable "L" brackets are included to provide a secure fit and a component "stop" from the rear. For applications where rear rack rail support is necessary (with or without clamping requirements), add model SHRSB bracket kit.



Universal Monitor Rack Mount Kit

The ASUMRM9 is designed for mounting flat panel displays in Atlas Racks. This 9RU kit is perfect for providing visual feedback for Atlas Sound's ControlKom and Varizone mass communication systems, or other video surveillance systems in need of visual monitoring at the rack. It accommodates any 4:3 display up to 19" diagonally in length, and features a black powder coat finish to match the look of the racks themselves.



Wall Mount System

The AWV Series is a cost effective wall mount system which allows low profile mounting of Ethernet switches, mixer amplifiers or other rack mount electronics. These bracket style hardware kits are offered in 2, 3, & 4RU configurations and create flush mounting options for equipment – vertically to walls or under desks and work spaces- when space and component needs do not facilitate the need for a full rack.