

## Fig. 28M Offset Hanger & Restrainer for CPVC & IPS Pipe

### APPLICATIONS

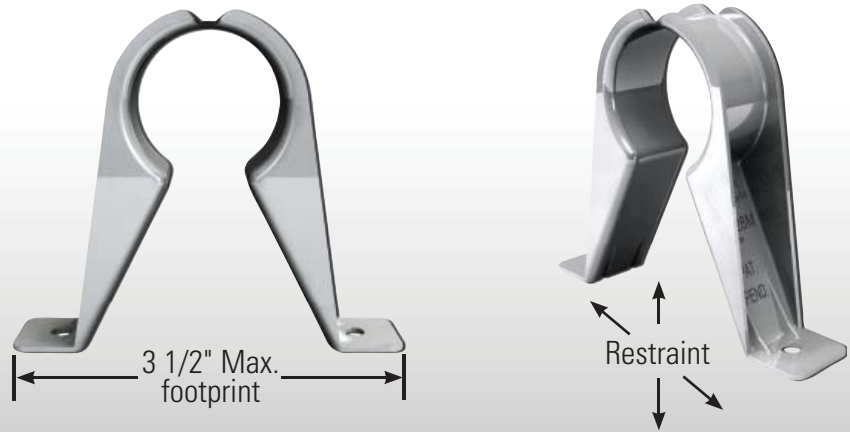
- Used as a hanger at any location along the piping and as a restrainer when installed near a sprinkler head

### FEATURES

- Uses standard #10 x 1" screws supplied with all TOLCO CPVC hangers
- Flared edge design protects plastic pipe from any rough or abrasive surfaces
- U.L. Listed as hanger and restrainer in all directions
- Can be used on both plastic and steel pipe.

### MATERIALS & CONSTRUCTION

- Carbon steel - Electro-galvanized



## Fig. 28M - Offset Hanger and Restrainer for CPVC Plastic Pipe and IPS Pipe



**Size Range** — 3/4" thru 1-1/4" pipe

**Material** — Carbon Steel, Electro-Galvanized

**Function** — Designed to be used as a hanger and restrainer for CPVC piping where the "stand-off" design will ease installation by eliminating the need for wood blocking

**Features** —

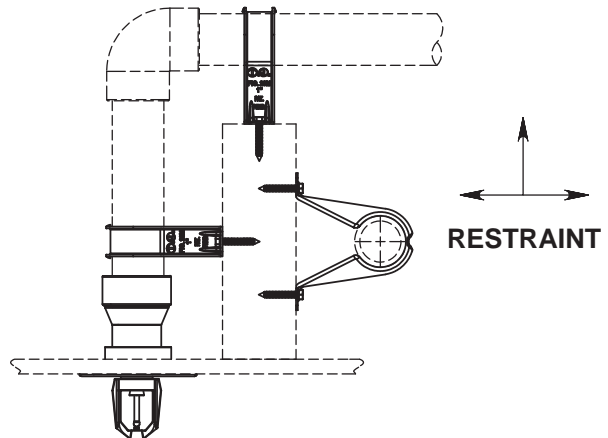
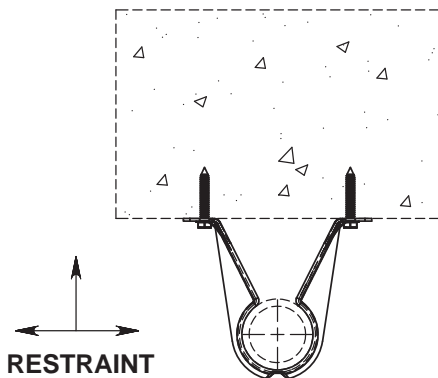
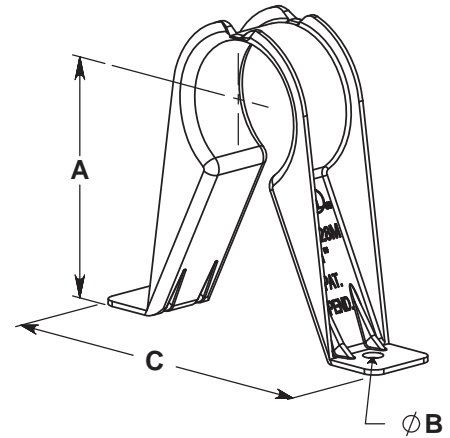
- Flared edge design protects CPVC pipe from any rough or abrasive surfaces
- Unique snap-on design holds pipe firmly in place and allows retrofit type of installation
- The "Stand-Off" design eliminates the need for wood block extension
- Can be installed on horizontal or vertical piping regardless of mounting surface orientation
- Attaches easily to wood structure with two hex head self-threading screws furnished with product
- Installs easily using rechargeable electrical driver with 5/16" extension socket eliminating impact tool damage to pipe
- Attaches easily to steel, minimum 18 gauge with (2) 1/4" x 1" tek type self drilling tapping screws
- cULus Listed as a hanger and a restrainer for fire sprinkler piping

**Approvals** — Underwriters' Laboratory Listed in the USA (UL) and Canada (cUL) to support automatic fire sprinkler systems. May be installed into wood using fasteners screws. Meets and exceeds the requirements of NFPA 13, 13R and 13D.

Fig. 28M satisfies the UL vertical restraint requirements where needed.

**Order By** — Figure number and pipe size

PATENT # 7,744,042



**Fig. 28M**

**Dimensions • Weights**

Pipe Size	A	B	C	Max. Spacing required per NFPA 13 for CPVC plastic pipe	Approx Wt./100
3/4	2	3/16	3-1/2	5'-6"	9
1	2-1/8	3/16	3-1/2	6'-0"	12
1-1/4	2-5/16	3/16	3-1/2	6'-6"	13