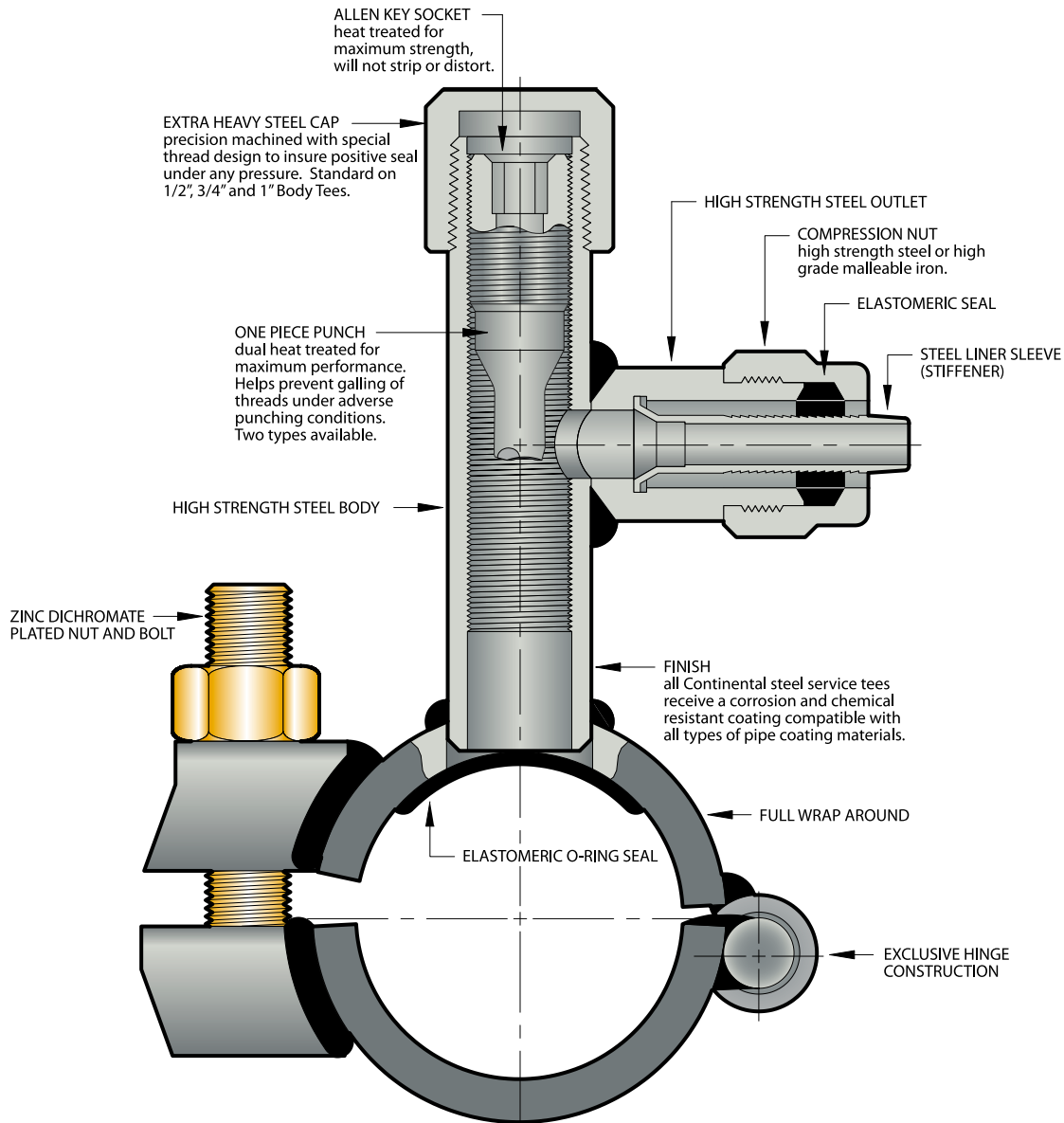




SADDLE PUNCH TEES

STEEL SERVICE SADDLE PUNCH TEES WITH PIPE CAP

The Most Foolproof, Versatile, Economical Punch Tee Available!



➤ SAME GREAT FEATURES FOUND ON THE PIPE CAP STYLE PUNCH TEES (SEE PAGE 6)

PLUS THE SADDLE PROVIDES;

- RUGGED ALL STEEL CONSTRUCTION
- FULL WRAP AROUND
- ELASTOMERIC O-RING SEAL
- EXCLUSIVE HINGE CONSTRUCTION
- USES SINGLE ZINC DICHROMATE PLATED NUT AND BOLT
- CAN BE USED FOR KEY HOLE APPLICATIONS

NOTE: STANDARD SADDLES TEES ARE FURNISHED WITH OUTLET PERPENDICULAR TO THE MAIN. CONTACT CONTINENTAL FOR OUTLETS PARALLEL TO THE MAIN.

