

Class 125 • Bolted Cap • Bronze Trim • Threaded Ends

Features

- Design prohibits galling or scoring of seating surfaces because the disc meets the flat seat squarely on closing with no rubbing action
- Replaceable Bronze Seat Rings
- Bronze Hinges
- Solid Bronze Disc
- Large Bolted-on Cover
- Replaceable Brass Hinge Pin Bushings
- ASME B.1.20.1, MSS SP-71 Type 1 and MSS SP-25

For more detailed features, refer to Page 30.

Figure 372

Threaded - Bronze Trim

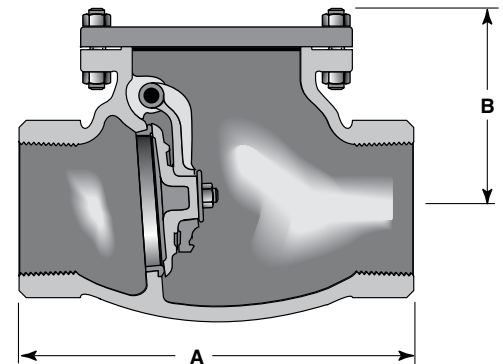
Size Range:

2 through 4 inches

Working Pressures Non-Shock

125 psi Steam, Basic Rating

200 psi Cold Working Pressure



Principal Parts & Materials

Fig. No.	Size	Seating	End Conn.
372	2" - 4"	Bronze	Threaded

Dimensions and Weights

Inches (millimeters) - pounds (kilograms)

Valves	2 (50)	2 ½ (65)	3 (80)	4 (100)
A	6.12 (155)	7.25 (184)	8.00 (203)	9.25 (235)
B	4.50 (114)	5.38 (137)	5.88 (149)	6.62 (168)
Wt.	18 (8)	22 (10)	29 (13)	54 (25)