

## Fig. 78 - All Steel Ceiling Plate



**Size Range** — 3/8" rod

**Material** — Pre-Galvanized Steel

**Features** — Attachment to wood beams, ceilings, metal decks or walls. Can also be welded to steel beams.

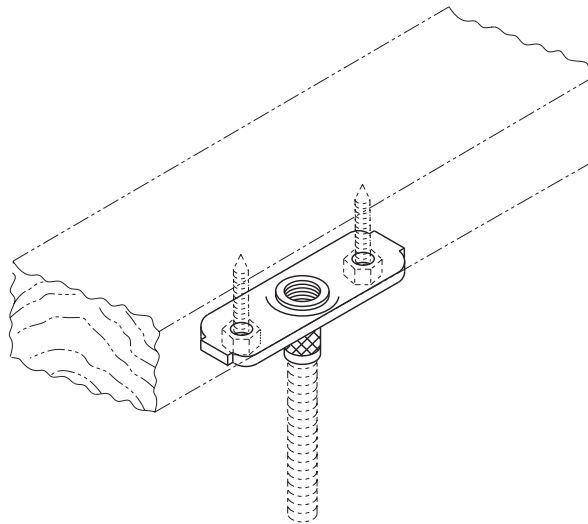
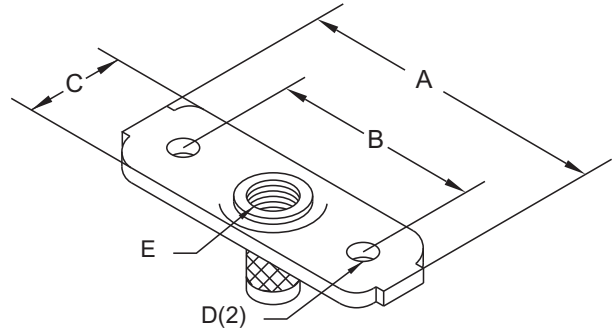
**Approvals** — Underwriters' Laboratories Listed in the USA (**UL**) and Canada (**cUL**). Additionally, (**UL**) has listed the Fig. 78 with fasteners as shown in the table below.

**Finish** — Plain

**Note** — Available in Electro-Galvanized and HDG finish.

**Order By** — Figure number, rod size and finish

Patent #5,702,077



### UL Listed Fastener Table

Pipe Size	Qty	Fastener Type	Material
1/2 - 2	2	#14 x 1 1/4 A-point hex-washer-head sheet metal screw	Wood
2 1/2 - 4	2	1/4 x 1 1/2 wood screws*	Wood
1/2 - 2	2	1/4 x 1 tek screws	Metal (18 gauge)
1/2 - 2	2	#14 x 1 1/4 A-point hex-washer-head sheet metal screw	Wood
1/2 - 2	2	#14 x 2 A-point-hex-washer-head sheet metal screw	Wood thru 5/8" gyp board

\* No pre-drilling

### Dimensions • Weights

Pipe Size	A	B	C	D	E	Max. Rec. Load Lbs.*	Approx. Wt./100
1/2 - 2	3	2 1/8	1 1/8	5/16	3/8	150	15
5 - 6	Consult factory for data						

\* Minimum safety factor of 5