

## Pipe Pier<sup>®</sup> Roof Top Supports - Classic & Elite Series

**Size Range** — Series is offered in 4" and 6" heights

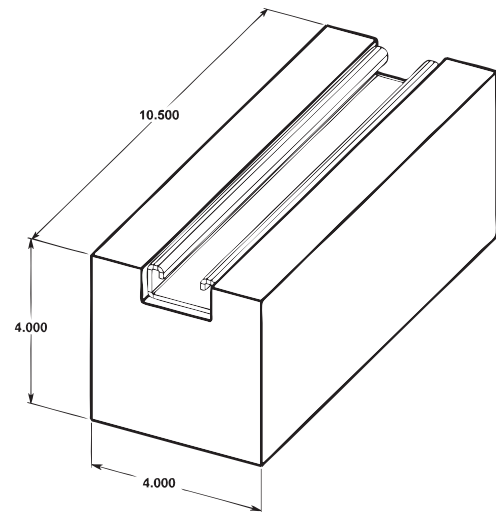
**Material** — Closed-cell, medium density, black Polyethylene Foam Ethafoam™. C14 Style Galvanized Strut Channel. Hot melt adhesive-bonding sheet metal to foam block.

**Application** — Designed and engineered specifically for rooftop and raised floor applications. Can be used in hundreds of combinations to solve nearly every pipe support need and allows you to mount breaker and junction boxes safely off the roof level.

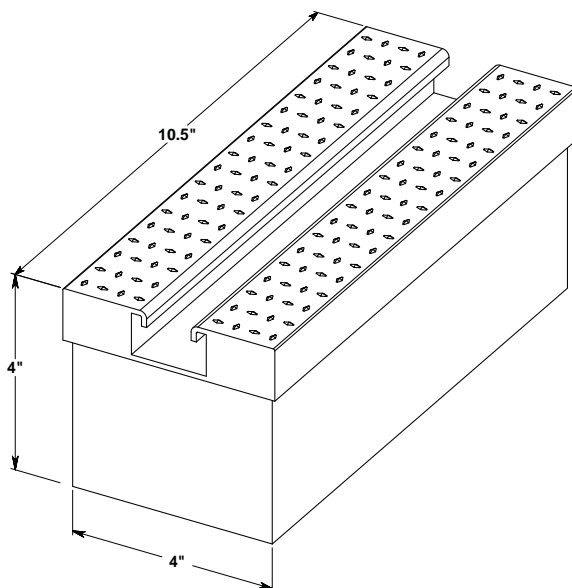
**Features and Advantages** — UV resistant and practically weatherproof polyethylene foam block. Accommodates contraction and expansion of piping. Engineered to securely hold pipe, conduit and cable. Absorbs shock and vibrations. May be used with standard strut clamps and accessories. Eliminates on-site cutting, drilling and measuring. Protects roof membrane from damage even when there is no gravel or rock. Ten packs weigh only ten pounds and is easily transported to the roof.

**Note** — Classic 50H4 stands at a height of 4" and is designed for installation of pipe and conduit with a maximum 50 lb. design capacity. Classic 50H6 stands at a height of 6" and is designed for installation of pipe and conduit with a maximum 50 lb. design capacity.

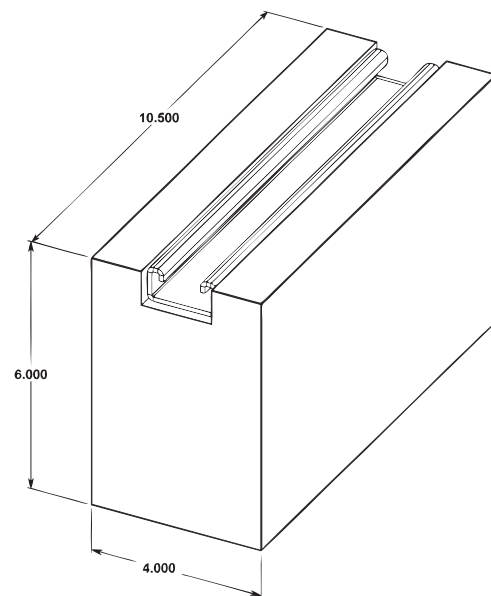
**Order By** — Classic 50H4, Classic 50H6 or Pipe Pier Elite



**Classic 50H4**



**Pipe Pier Elite**



**Classic 50H6**

## Pipe Pier® Roof Top Supports - 150 & 300

**Size Range** — Pipe Pier 150 - 4" height, 12" length,  
 Pipe Pier 300 - 4" height, 21.5" length

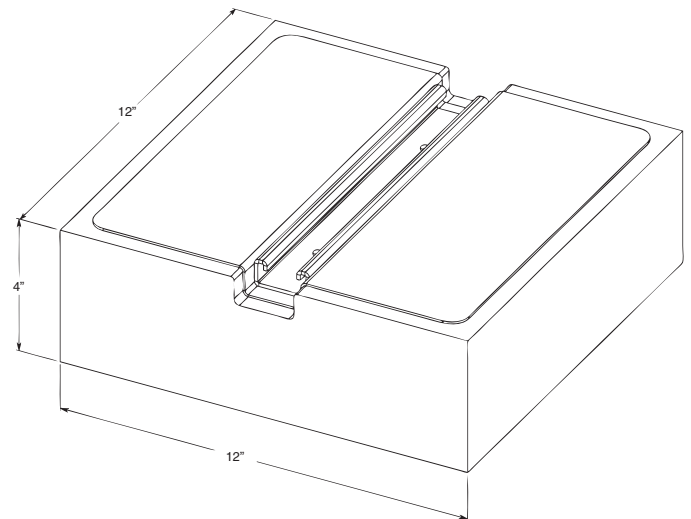
**Material** — Closed-cell, medium density, black Polyethylene Foam Ethafoam™. C14 Style Galvanized Strut Channel. Hot melt adhesive-bonding sheet metal to foam block. 14 Gauge Galva Neal Sheet Metal.

**Application** — Designed and engineered specifically for rooftop and raised floor applications. Can be used in hundreds of combinations to solve nearly every pipe support need and allows you to mount breaker and junction boxes safely off the roof level. Piping should be attached using standard strut clamps, rollers or other approved accessories.

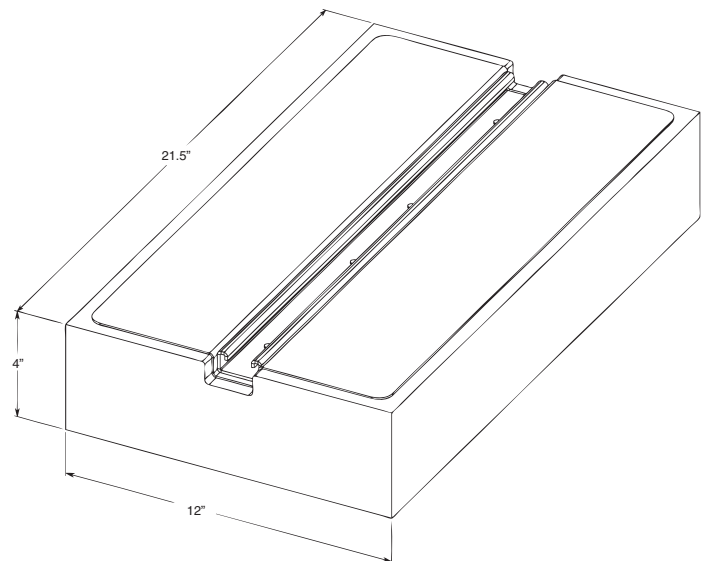
**Features and Advantages** — UV resistant and weather-proof polyethylene foam block. Accommodates contraction and expansion of piping. Engineered to securely hold pipe, conduit, cable and HVAC equipment. Absorbs shock and vibrations. May be used with standard strut clamps and accessories. Eliminates on-site cutting, drilling and measuring. Protects roof membrane from damage even when there is no gravel or rock.

**Note** — Pipe Pier 150 stands at a height of 4", with a length of 12", and is designed for installation of pipe and conduit with a maximum 150 lb. design capacity. Pipe Pier 300 stands at a height of 4", with a length of 21.5", and is designed for installation of pipe and conduit with a maximum 300 lb. design capacity.

**Order By** — Pipe Pier 150 or Pipe Pier 300



**Pipe Pier 150**



**Pipe Pier 300**