

rotork®

Controls

Marine Applications

With over fifty years of experience of long-term installation in all environments, Rotork has built up an enviable reputation as the supplier of equipment which is both well developed and durable.

ROM actuators provide quiet and reliable operation for all kinds of small ball valves and butterfly valves, as well as dampers and ventilation louvres.

With self-locking as standard and manual override options together with a wide range of voltages the ROM is an ideal solution for simple specification actuation for small valves.

The ROM range of actuators is now enhanced with the addition of the ROMpak actuator. The ROMpak has a self contained control package with local controls, status indication relays, opto-isolators and support for Rotork control options such as Folomatic, Pakscan and other bus systems.

Configuration of the actuator, such as direction to close, can be set via internal DIL switch settings.



ROMpak Range

Marine Applications

Key Features:

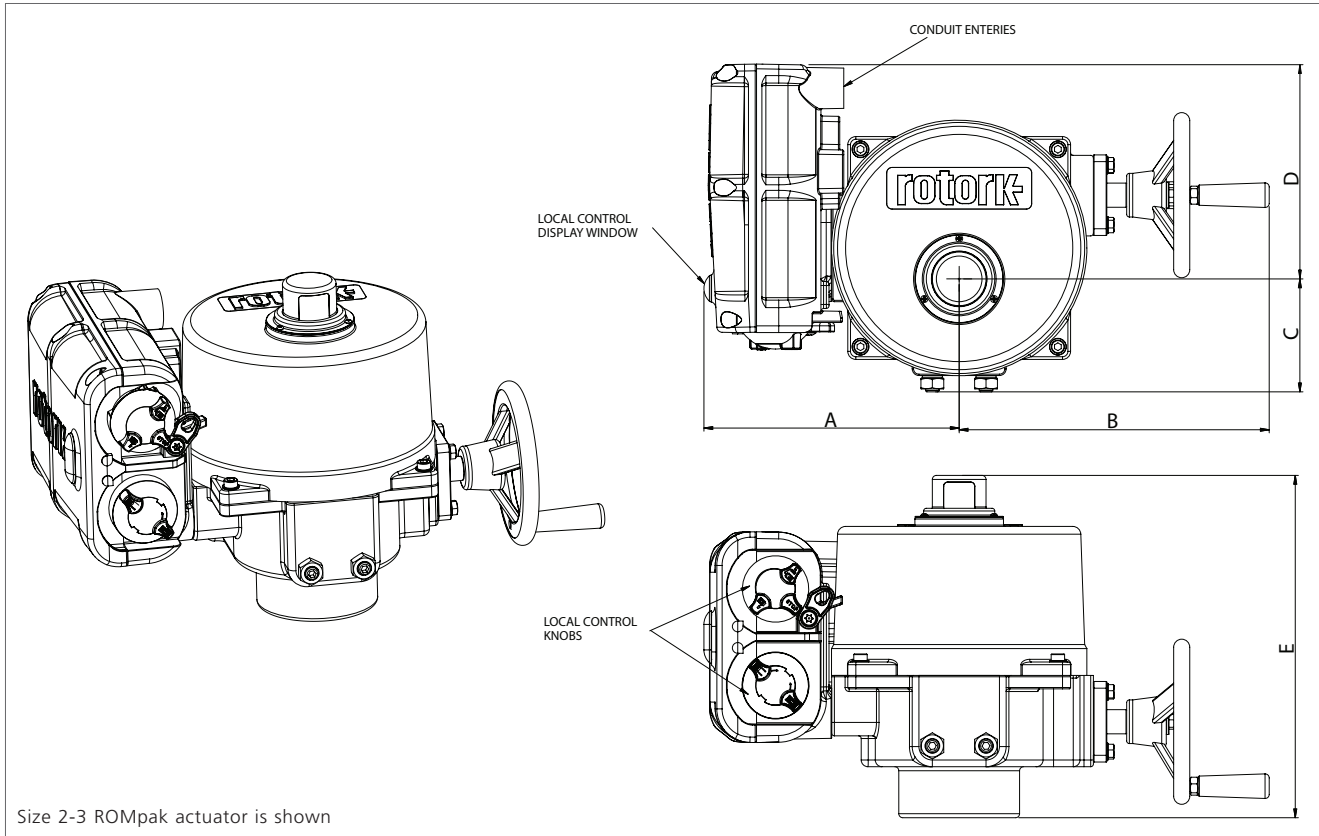
- Isolating/Regulating duty.
- Small, Compact & Lightweight.
- Manual override.
- Externally adjustable mechanical stops.
- Local controls.
- Phase rotation correction.
- IP67.
- 12/24 VDC, 110/220 VAC single-phase and 220/380/440 VAC three-phase, 50 Hz and 60 Hz.
- Position indication via local manual indicator and LED's.

Options:

- Bus communication including:
Pakscan, Profibus, Modbus and Foundation Fieldbus.
- CPT & Folomatic.



Established Leaders in Actuation Technology



Dimensions in mm:

MODEL	A	B	C	D	E
ROMpak 1	160	57	56	169	161
ROMpak 2	190	231	84	170	255
ROMpak 3	190	231	84	170	255
ROMpak 4	214	275	110	193	317

Performance data:

MODEL	TORQUE (Nm)	SPEED (sec)	WEIGHT (Kg)	MOUNTING
ROMpak 1	35	12	4	F05/F03
ROMpak 2	90	15	13	F07
ROMpak 3	150	22	13	F07
ROMpak 4	400	22	24	F10

A full listing of our worldwide sales and service network is available on our website.

www.rotork.com

UK
Rotork plc
tel +44 (0)1225 733200
fax +44 (0)1225 333467
email mail@rotork.com

USA
Rotork Controls Inc.
tel +1 (585) 247 2304
fax +1 (585) 247 2308
email info@rotork.com

Controls
Electric Actuators and Control Systems

Fluid Systems
Fluid Power Actuators and Control Systems

Gears
Gearboxes and Gear Operators

Site Services
Projects, Services and Retrofit