

## Fig. 301CT - Copper Tubing Split Ring Extension Hanger

**Size Range** — 1/2" thru 2" copper tubing

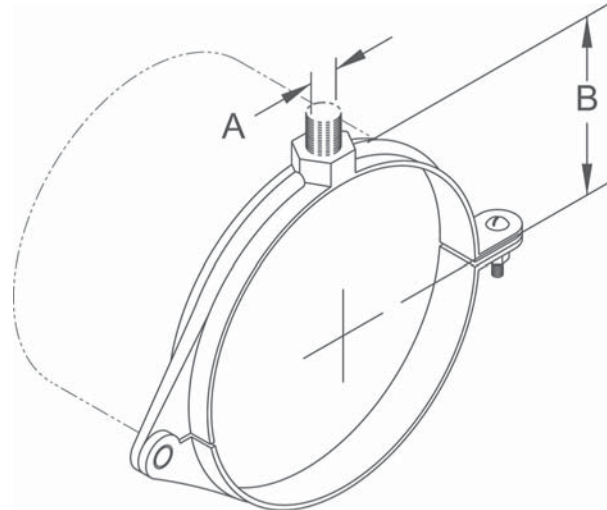
**Material** — Malleable Iron

**Function** — A rigid support to suspend tubing horizontally or vertically

**Approvals** — Conforms to Federal Specification WW-H-171E, Type 25 and Manufacturers Standardization Society SP-69, Type 12.

**Finish** — Epoxy Copper Tec™ Plated

**Order By** — Figure number and nominal tube size



### Dimensions • Weights

Copper Tube Size	Rod Size		Max. Rec. Load Lbs.	Approx. Wt./100
	A	B		
1/2	3/8	3/4	180	10
3/4	3/8	7/8	180	12
1	3/8	7/8	180	14
1 1/4	3/8	1 1/8	180	16
1 1/2	3/8	1 1/4	180	21
2	3/8	1 1/2	180	25