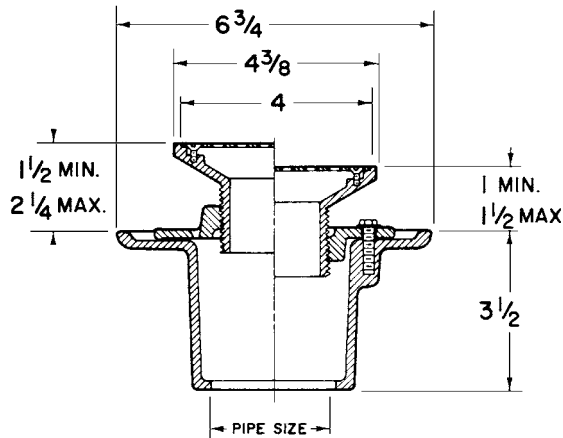




SHOWER & FLOOR DRAINS

SERIES 697-IC SHOWER DRAIN For Composite



697-IC

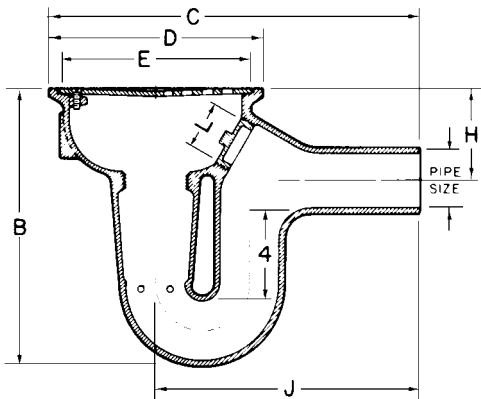
Cast Iron Body

Bolted **Clamping Ring** to permit usage with thick flashing materials, reversible for extra height
Collar contains **Weep Holes** for supplemental drainage

Adjustable **Stainless Steel Strainer**
Inside Caulk Outlet

Ship Code	UPCode 670610	Pipe Size	Outlet	Weight Lbs.
S	027676	2	IC	6.1

SERIES 710 FLOOR DRAIN with Integral Trap and concealed Cleanout



710

Cast Iron Body with Integral "P" trap and concealed cleanout opening.

Tapped to receive 775 back water valve.

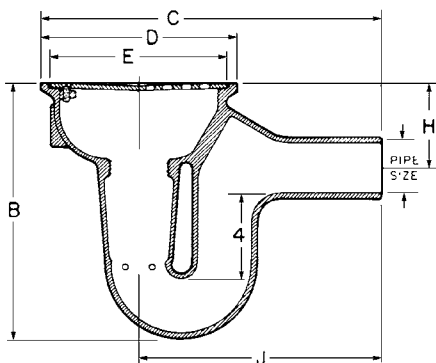
Spigot outlets fits SV **Ty-Seal** gasket joint or may be joined with **No-Hub coupling**.

NOTE: For 775 back water valve, see next page.

DIMENSIONS in Inches

Ship Code	C.I. Strainer UPCode 670610	Ship Code	N/B Strainer UPCode 670610	Outlet	Pipe Size	Height B	Length C	Top D	Strainer E	H	J	Cleanout L	Wt. Lbs.
S	029007	N	029021	Spigot	2	9 ³ / ₄	13	7 ¹ / ₂	6 ³ / ₄	3 ¹ / ₄	9 ³ / ₈	1 ¹ / ₂	17.4
S	029076	N	029083	Spigot	3	11 ⁵ / ₈	18	10	8 ⁷ / ₈	3 ¹ / ₄	13	1 ¹ / ₂	28.2
S	029120	N	029137	Spigot	4	14 ¹ / ₄	21	12	11	4 ¹ / ₄	15	2	42.0

SERIES 713-DS FLOOR DRAIN with Integral Trap



713-DS

Cast Iron Body with Integral "P" trap.

Tapped to receive 775 back water valve.

Spigot outlets fits SV **Ty-Seal** gasket joint or may be joined with **No-Hub coupling**.

NOTE: For 775 back water valve, see next page.

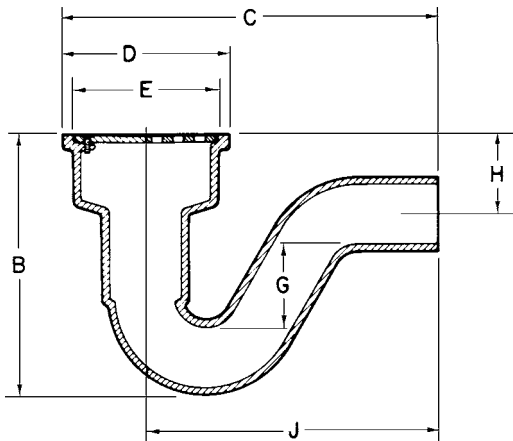
DIMENSIONS in Inches

Ship Code	CI Strainer UPCode 670610	Ship Code	N/B Strainer UPCode 670610	Outlet	Size	Height B	Length C	Top D	Strainer E	H	J	Wt. in Lbs.
S	027973	N	027980	SP	3	11 ⁵ / ₈	18	10	8 ⁷ / ₈	3 ¹ / ₄	13	28.2



FLOOR DRAINS WITH TRAPS, FLOOR DRAIN PARTS, BACKWATER VALVES

SERIES 732 FLOOR DRAIN with Integral Trap



732

Cast Iron Body with Integral P-Trap (**Omaha Code**)

Spigot Outlet only

Shipped with Perforated Cast Iron Strainer, Not Threaded for

Back Water Valve

Fits SV **Ty-Seal®** gasket or may be joined with Tyler **No-Hub Coupling**

DIMENSIONS in Inches

Ship Code	UPCode 670610	Outlet	Strainer E	Top D	Height B	Length C	Seal G	J	H	Wt. Lbs.
S	029359	2	5	5 ³ / ₄	8 ¹ / ₄	13	2 ¹ / ₂	10 ¹ / ₈	2 ¹ / ₂	13.4

FLOOR DRAIN PARTS

CI Strainer

Ship Code	UPCode 670610	Size	Fits Drains	Weight
S	027737	6 ³ / ₄	402 & 712	1.4
S	027843	8 ⁷ / ₈	403 & 713 & 713-DS	2.6
S	027928	11	404 & 714	3.5
S	028055	5	732	1.4

N/B Rim & Strainer*

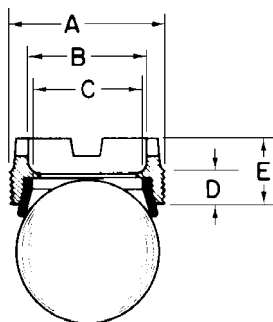
Ship Code	UPCode 670610	Strainer Size	Fits Drains	Weight
S	027812	7 ³ / ₄	712	2.7
S	027874	10 ¹ / ₂	713	3.8
S	027966	12 ¹ / ₄	714	4.5

*Includes 2 screws in strainer.

Stainless Steel Strainer

Ship Code	UPCode 670610	Size	Fits Drains	Weight
S	027355	4	667, 690, 695, 697	0.2

SERIES 775 BACK WATER VALVES



Furnished with threaded **Brass** spud and neoprene seat with plastic **float**

DIMENSIONS

Ship Code	UPCode 670610	Size	IPS	Width A	ID B	Seat C	Thread D	Base E	Wt. in Lbs.
S	028130	2	2	2 ¹ / ₄	1 ⁷ / ₈	1 ⁵ / ₈	1/2	1	1.0
S	028147	3	2 ¹ / ₂	2 ³ / ₄	2 ³ / ₈	1 ³ / ₄	5/16	1 ¹ / ₄	1.5
S	028154	4	3	3 ⁷ / ₁₆	3	2 ³ / ₁₆	3/4	1 ³ / ₈	2.0