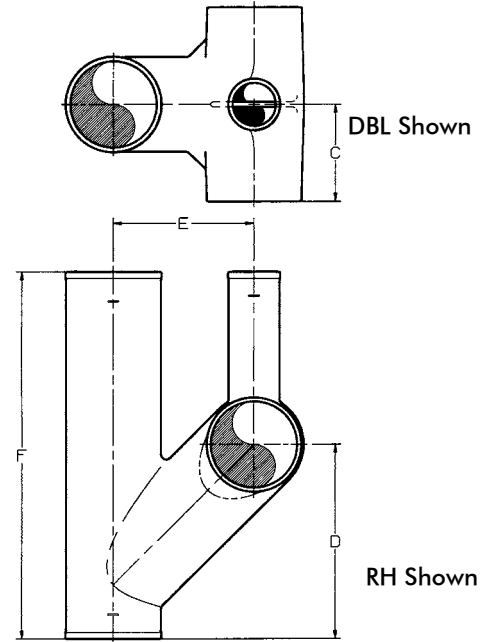


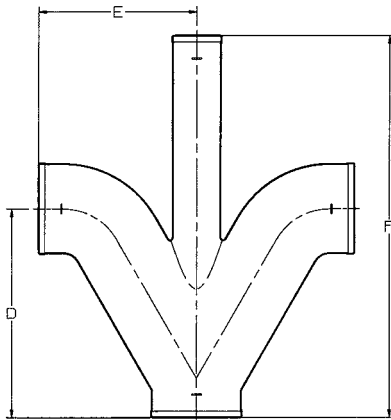
**IAPMO FIGURE SIX DOUBLE, LR, RH  
(Full Baffle)**

Ship Code	UPCode	Size	C	D	E	F	H	Wt.
S	010791	3x2 (R)	4 $\frac{1}{8}$	7 $\frac{7}{16}$	5 $\frac{1}{16}$	11	3 $\frac{7}{16}$	11.4
S	010807	3x2 (L)	4 $\frac{1}{8}$	7 $\frac{7}{16}$	5 $\frac{1}{16}$	11	3 $\frac{7}{16}$	11.4
S	010838	3x2 (Dbl)	4 $\frac{1}{8}$	7 $\frac{7}{16}$	5 $\frac{1}{16}$	11	3 $\frac{7}{16}$	13.0
S	010814	4x2 (L)	4 $\frac{1}{2}$	9	6 $\frac{1}{2}$	13	4	18.0
S	010821	4x2 (R)	4 $\frac{1}{2}$	9	6 $\frac{1}{2}$	13	4	18.0
S	010852	4x2 (Dbl.)	4 $\frac{1}{2}$	9	6 $\frac{1}{2}$	13	4	23.1



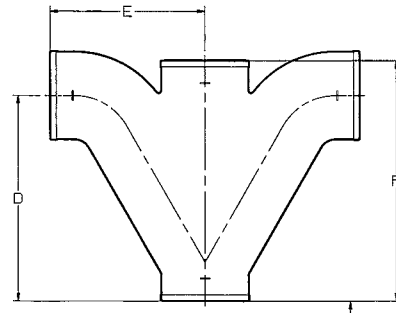
**FIGURE SIX EXTENDED RIGHT/LEFT & DOUBLE  
(Full Baffle)**

Ship Code	UPCode	Size	C	D	E	F	Wt.
S	010869	3x2 (R)	4 $\frac{1}{8}$	7 $\frac{7}{16}$	5 $\frac{1}{16}$	17	17.6
S	382645	3x2 (L)	4 $\frac{1}{8}$	7 $\frac{7}{16}$	5 $\frac{1}{16}$	17	17.6
S	010883	4x2 (R)	4 $\frac{1}{2}$	9	6 $\frac{1}{2}$	17	20.2
S	010876	4x2 (L)	4 $\frac{1}{2}$	9	6 $\frac{1}{2}$	17	20.2
S	010890	4x2 (Dbl)	4 $\frac{1}{2}$	9	6 $\frac{1}{2}$	17	27.0



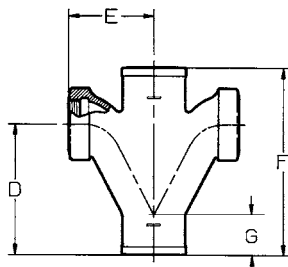
**FIGURE FIVE EXTENDED**

Ship Code	UPCode	Size	D	E	F	Wt.
S	010777	3x2x3	8 $\frac{7}{8}$	6 $\frac{5}{16}$	16 $\frac{7}{8}$	14.5



**IAPMO FIGURE FIVE**

Ship Code	UPCode	Size	D	E	F	Wt.
S	010722	2	6 $\frac{1}{2}$	5	8	5.0
S	010739	3x2x3x3	8 $\frac{7}{8}$	6 $\frac{5}{16}$	9 $\frac{1}{4}$	12.0
S	010746	3	8 $\frac{7}{8}$	6 $\frac{5}{16}$	10 $\frac{3}{8}$	10.5
S	010753	4x2x4x4	10 $\frac{1}{4}$	7 $\frac{3}{4}$	11 $\frac{1}{2}$	19.8
S	010760	4	10 $\frac{1}{4}$	7 $\frac{3}{4}$	12	20.0



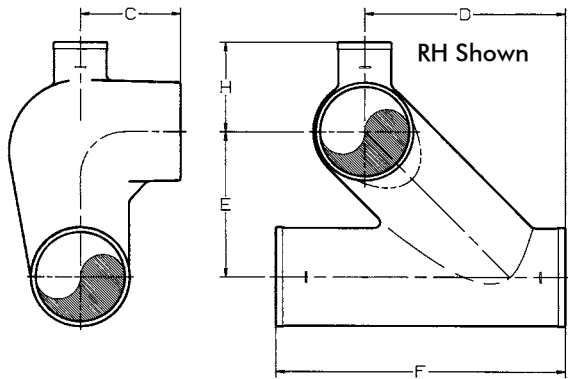
**IAPMO FIGURE ONE w/NO-HUB TOP**

Ship Code	UPCode	Size	D	E	F	G	Wt.
S	010661	2x2x1 $\frac{1}{2}$ x1 $\frac{1}{2}$	4 $\frac{7}{8}$	3 $\frac{3}{16}$	7	1 $\frac{1}{2}$	4.9



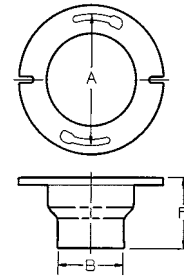
# NO-HUB ASA Group 022 FIGURE FITTINGS & ADAPTERS

RH Shown



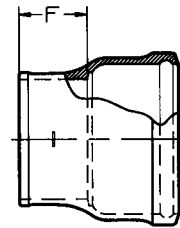
**IAPMO FIGURE EIGHT LH, RH, DBL.  
w/Full Baffle (RH Shown)**

Ship Code	UPCode 670610	Size	C	D	E	F	H	Wt.
S	010906	3x2 (R)	4 <sup>1</sup> / <sub>8</sub>	7 <sup>7</sup> / <sub>16</sub>	5 <sup>1</sup> / <sub>16</sub>	11	3 <sup>7</sup> / <sub>16</sub>	12.5
S	010913	3x2 (L)	4 <sup>1</sup> / <sub>8</sub>	7 <sup>7</sup> / <sub>16</sub>	5 <sup>1</sup> / <sub>16</sub>	11	3 <sup>7</sup> / <sub>16</sub>	12.5
S	010944	3x2 (Dbl)	4 <sup>1</sup> / <sub>8</sub>	7 <sup>7</sup> / <sub>16</sub>	5 <sup>1</sup> / <sub>16</sub>	11	3 <sup>7</sup> / <sub>16</sub>	13.0
S	010920	4x2 (R)	4 <sup>1</sup> / <sub>2</sub>	9	6 <sup>1</sup> / <sub>2</sub>	13	4	19.8
S	010937	4x2 (L)	4 <sup>1</sup> / <sub>2</sub>	9	6 <sup>1</sup> / <sub>2</sub>	13	4	19.8



**9-480 CLOSET FLANGE (Slot & Notch)**

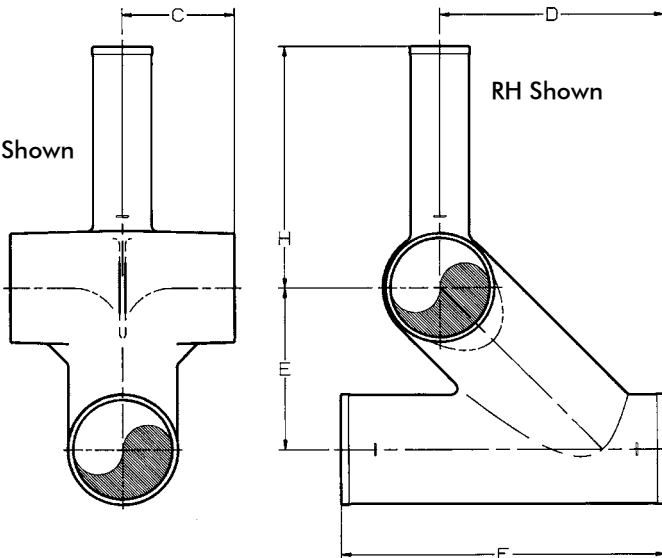
Ship Code	UPCode 670610	Size	A	B	F	Wt.
S	010593	4x3x3 <sup>1</sup> / <sub>2</sub>	6	3 <sup>5</sup> / <sub>16</sub>	3 <sup>1</sup> / <sub>2</sub>	4.1
S	010609	4x4x3 <sup>1</sup> / <sub>2</sub>	6	4 <sup>5</sup> / <sub>16</sub>	3 <sup>1</sup> / <sub>2</sub>	4.0
S	010616	4x4x4	6	4 <sup>5</sup> / <sub>16</sub>	4	4.5
S	383338	4x3x8	6	3 <sup>5</sup> / <sub>16</sub>	8	5.0
S	383345	4x4x8	6	4 <sup>5</sup> / <sub>16</sub>	8	9.0



**HUB ADAPTER  
No-Hub by SV Ty-Seal®**

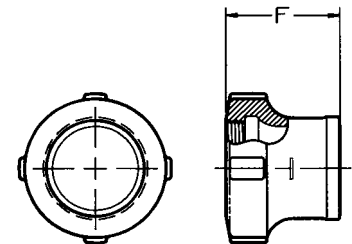
Ship Code	UPCode 670610	Size	F	Wt.
S	009849	2	2	1.9
S	009856	3	2	3.4
S	009863	4	2 <sup>1</sup> / <sub>4</sub>	5.0

DBL Shown



**FIGURE EIGHT EXTENDED LEFT/RIGHT & DOUBLE  
(Full Baffle)**

Ship Code	UPCode 670610	Size	C	D	E	F	H	Wt.
S	010975	4x2 (R)	4 <sup>1</sup> / <sub>2</sub>	9	6 <sup>1</sup> / <sub>2</sub>	13	8	22.8
S	010982	4x2 (L)	4 <sup>1</sup> / <sub>2</sub>	9	6 <sup>1</sup> / <sub>2</sub>	13	8	22.8
S	010999	4x2 (Dbl)	4 <sup>1</sup> / <sub>2</sub>	9	6 <sup>1</sup> / <sub>2</sub>	13	8	23.4



**TAP ADAPTER**

Ship Code	UPCode 670610	Size x IPS Tap	F	Wt.
S	009887	1 <sup>1</sup> / <sub>2</sub> x1 <sup>1</sup> / <sub>2</sub>	2 <sup>5</sup> / <sub>8</sub>	1.3
S	009900	2x1 <sup>1</sup> / <sub>2</sub>	2 <sup>3</sup> / <sub>16</sub>	1.2
S	009917	2x2	2 <sup>5</sup> / <sub>8</sub>	1.6
S	009948	3x2	2 <sup>3</sup> / <sub>16</sub>	1.4

**SHIPPING CODE**

**S = From Stock**  
**N = Non-Stock; Check in advance for availability.**