

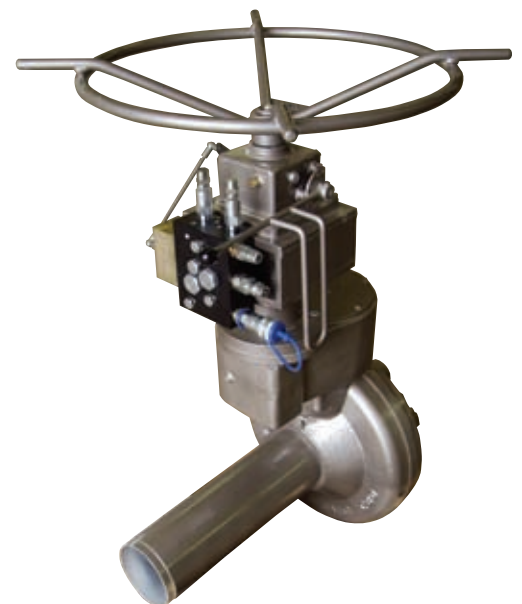
## Power Handwheel

The Rotork Fluid Systems (RFS) PHW is a versatile valve operator designed to work with both quarter-turn with gearbox combinations and rising stem linear designs. It operates either as a manual handwheel or hydraulically via an external hydraulic power unit connected to the quick-connect fittings provided – one for each direction of travel. RFS can also supply the required power unit, properly sized to suit the application.

It is an excellent solution for seldom used or remotely located valves where automated actuation is not practical but faster valve operation is sometimes required than can be accomplished with a strictly manual handwheel.

For operational safety, the handwheel is automatically disengaged when in the hydraulic operation mode. Maximum hydraulic pressure is separately adjustable in both directions to protect the valve from excessive torque. The engagement lever is lockable to prevent unauthorised use.

The PHW is available in three sizes to accommodate a variety of torque/thrust requirements. Consult an RFS *Centre of Excellence* for further information.

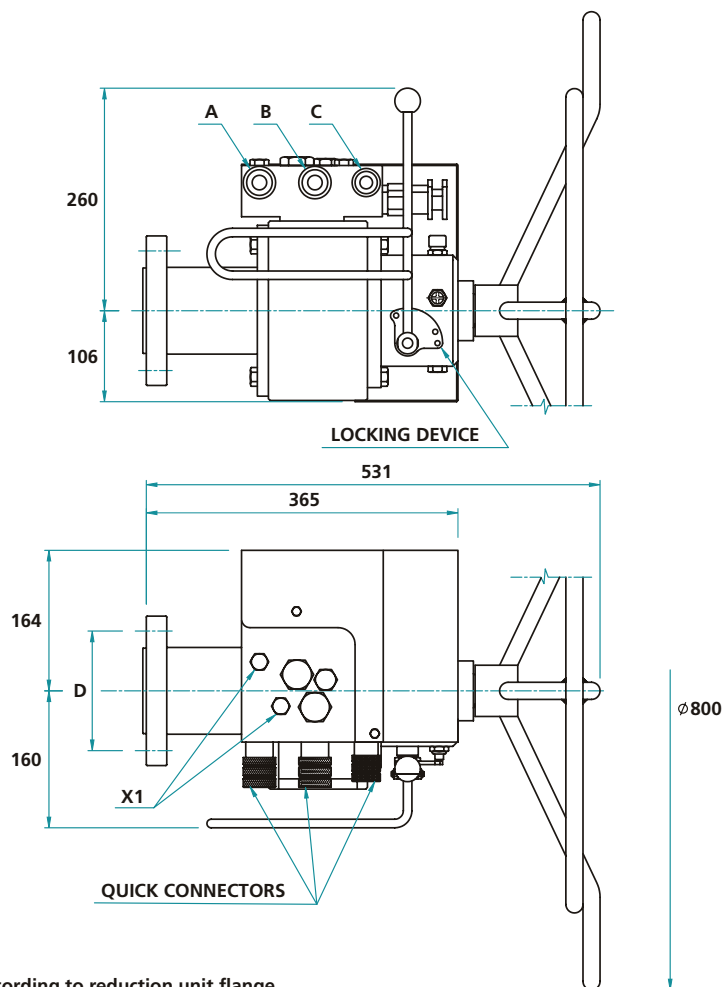


### Features:

- Manual or hydraulic operation.
- Quarter-turn or rising stem applications.
- Auto disengaged handwheel for safety.
- Lockable engagement lever prevents unauthorised use.

PHW MODEL	MAXIMUM TORQUE*
PHW010	98Nm
PHW015	147Nm
PHW020	196Nm

\* Maximum torque output at 140 Barg.



- D** According to reduction unit flange  
**A,B** Quick connections for hydraulic motor supply  
**C** Quick connection for hydraulic motor drain  
**X1** Plugged connections for pressure gauges (1/4" BSP female)

**WEIGHT - 68 kg.**  
**All dimensions are in mm.**

### Manufacturing Centres

**Germany**  
**Melle**

Tel: +49 (0)5422 9414-0  
 Fax: +49 (0)5422 9414-10  
 sales@rfs-pci.de

**Italy**  
**Tassignano - Lucca**

Tel: +39 0583 93061  
 Fax: +39 0583 934612  
 fluid@fluidsystem.it

**Sweden**  
**Falun**

Tel: +46 (0)23-587 00  
 Fax: +46 (0)23-587 45  
 info@remotecontrol.se

**United States**  
**Rochester, New York**

Tel: +1 585 247 2304  
 Fax: +1 585 247 2308  
 rfsinfo@rotork.com

All Rotork Fluid Systems actuators are manufactured under a third party accredited ISO9001:2000 quality assurance programme.

Published and produced by Rotork Fluid Systems. Rotork recognises all registered trademarks.

As we are continually developing our products, their design is subject to change without notice. POWTG0208

### Centres of Excellence

**Australia**  
**Bayswater, Victoria**

Tel: +61 (0) 3 9729 8882  
 Fax: +61 (0) 3 9729 8884  
 sales@rfsaustralia.com

**Canada**  
**Calgary, Alberta**

Tel: +1 403 569 9455  
 Fax: +1 403 569 9414  
 info@rotork.ca

**Singapore**

Tel: + 65 6457 1233  
 Fax: + 65 6457 6011  
 mail@rotork.com.sg

**Spain**  
**Bizkaia**

Tel: +34 94 676 6011  
 Fax: +34 94 676 6018  
 rotork@rotork.es

**United Kingdom**  
**Bramley, Leeds**

Tel: +44 (0)113 236 3312  
 Fax: +44 (0)113 205 7266  
 sales@rotorkfluidsystem.co.uk

**United States**  
**Houston, Texas**

Tel: +1 713 856 5640  
 Fax: +1 713 856 8127  
 rfsinfo@rotork.com

**United States**  
**Petaluma, California**

Tel: +1 707 769 4880  
 Fax: +1 707 769 4888  
 rfsinfo@rotork.com