

## Fig. 28 - "Stand-Off" Hanger & Restrainer for CPVC Plastic Pipe



**Size Range** — 3/4" through 2"

**Material** — Carbon Steel, Pre-Galvanized

**Function** — Designed to be used as a hanger and restrainer for CPVC piping where the "stand-off" design will ease installation by eliminating the need for wood blocking.

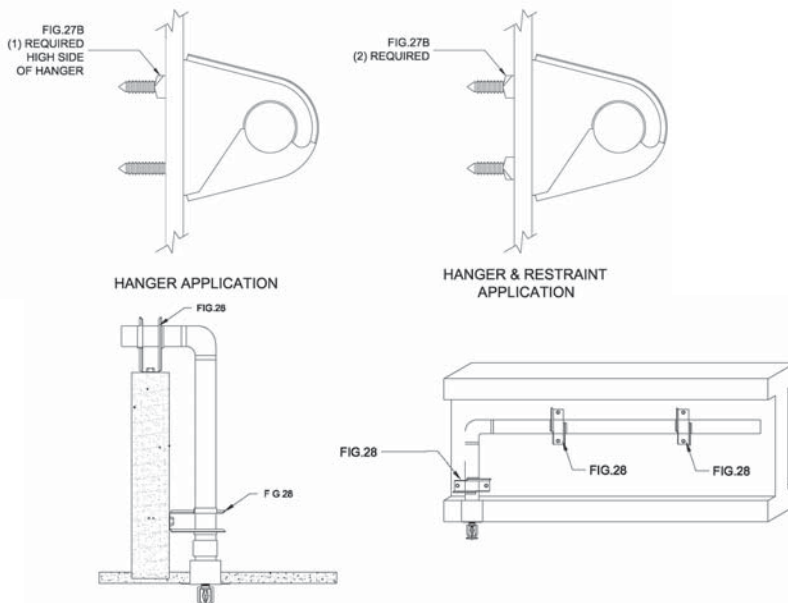
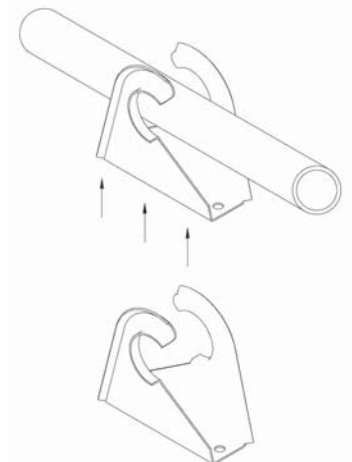
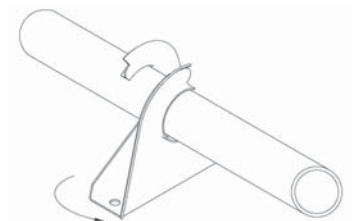
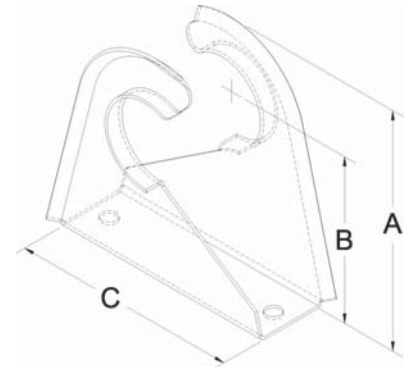
**Features:**

- Flared edge design protects CPVC pipe from any rough or abrasive surfaces.
- Unique twist and lock design holds pipe firmly in place and allows retrofit type of installation.
- The "Stand-Off" design eliminates the need for wood block extension.
- Can be installed on horizontal or vertical piping regardless of mounting surface orientation.
- Attaches easily to wood structure with two hex head self-threading screws furnished with product.
- Installs easily using rechargeable electrical driver with 5/16" extension socket eliminating impact tool damage to pipe.
- Attaches easily to steel, minimum 18 gauge with (2) 1/4" x 1" tek type self drilling tapping screws.
- UL Listed as a hanger and a restrainer for fire sprinkler piping.

**Approvals** — Underwriters' Laboratory Listed in the USA (**UL**) and Canada (**cUL**) to support automatic fire sprinkler systems. May be installed into wood using fasteners supplied with product, or into minimum 18 gauge steel using (2) 1/4" x 1" tek type screws. Meets and exceeds the requirements of NFPA 13, 13R and 13D. Fig. 28 satisfies the UL vertical restraint requirement where needed. UL Listed as a hanger and vertical restraint when installed on 3/8" composite wood material. Use two Fig. 27B Speed Nuts when used as a hanger and restraint. Use one Fig. 27B Speed Nut on the upper installed screw when used as a hanger only.

**Order by** — Figure number and pipe size.

**Pat. # 7,455,268, Pat. # 7,832,248**



### Dimensions • Weights

Pipe Size	A	B	C	Approx. Wt.
3/4	3 1/32	2	3 1/2	.180
1	3 5/16	2 3/16	3 1/2	.210
1 1/4	3 5/8	2 3/8	3 1/2	.225
1 1/2	4	2 1/2	3 1/2	.310
2	4 1/2	2 11/16	3 5/8	.340

## Fig. 28M - Offset Hanger and Restrainer for CPVC Plastic Pipe and IPS Pipe



**Size Range** — 3/4" thru 1-1/4"

**Material** — Carbon Steel, Pre-Galvanized

**Function** — Designed to be used as a hanger and restrainer for CPVC piping or steel piping where the "stand-off" design will ease installation by eliminating the need for wood blocking.

**Features** —

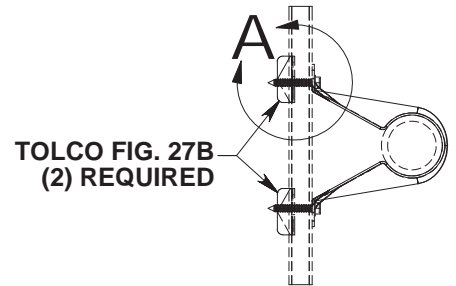
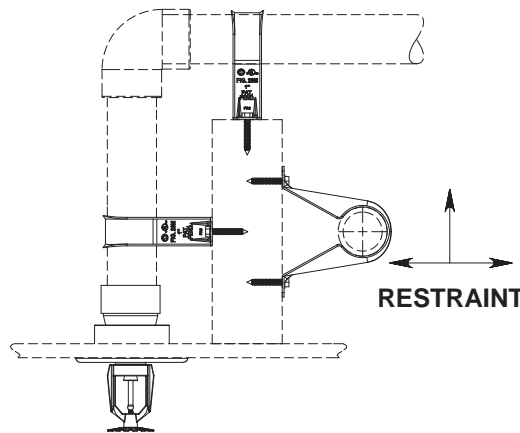
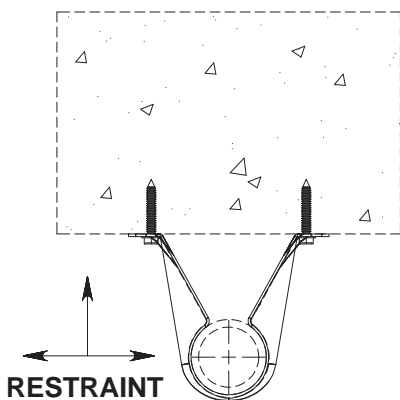
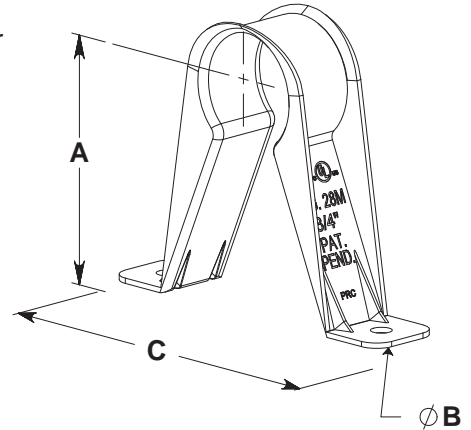
- Flared edge design protects CPVC pipe from any rough or abrasive surfaces
- Unique snap-on design holds pipe firmly in place and allows retrofit type of installation
- The "Stand-Off" design eliminates the need for wood block extension
- Can be installed on horizontal or vertical piping regardless of mounting surface orientation
- Attaches easily to wood structure with two hex head self-threading screws furnished with product
- Installs easily using rechargeable electrical driver with 5/16" extension socket eliminating impact tool damage to pipe
- Attaches easily to steel, minimum 18 gauge with (2) 1/4" x 1" tek type self drilling tapping screws
- cULus Listed as a hanger and a restrainer for fire sprinkler piping

**Installation Note** — When installed in wood structural member and threads from the #10 x 1" screws are exposed, use FIG. 27B speed nut to secure

**Approvals** — Underwriters' Laboratory Listed in the USA (UL) and Canada (cUL) to support automatic fire sprinkler systems. May be installed into wood using fasteners screws. Meets and exceeds the requirements of NFPA 13, 13R and 13D. Fig. 28M satisfies the UL vertical restraint requirements where needed.

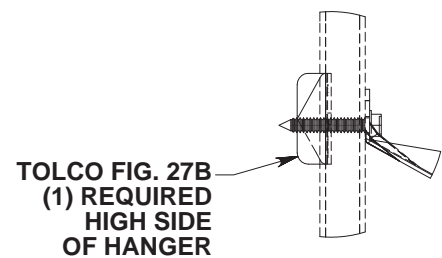
**Order By** — Figure number and pipe size

PATENT PENDING



TOLCO FIG. 27B  
(2) REQUIRED

HANGER AND RESTRAINT  
APPLICATION



TOLCO FIG. 27B  
(1) REQUIRED  
HIGH SIDE  
OF HANGER

DETAIL A  
HANGER APPLICATION

### Dimensions • Weights

Pipe Size	A	B	C	Max. Spacing required per NFPA 13 for CPVC plastic pipe	Approx Wt./100
3/4	2	3/16	3-5/16	5'-6"	9
1	2-1/8	3/16	3-1/2	6'-0"	12
1-1/4	2-5/16	3/16	3-1/2	6'-6"	13