

Fig. 35 - Concrete Rod Attachment Plate

Component of State of California OSHPD Approved Seismic Restraints System

Size Range — 3/8" thru 2" rod

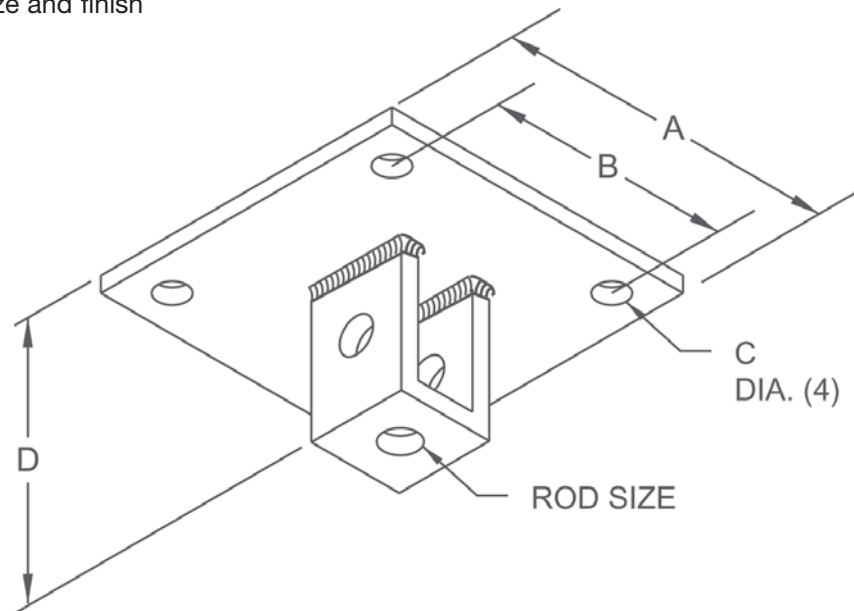
Material — Carbon Steel

Function — Structural attachment to concrete ceiling where vertical attachment is desired. Attach hanger rod directly to support bracket.

Finish — Plain

Note — Available in Electro-Galvanized and HDG finish or Stainless Steel materials.

Order By — Figure number, rod size and finish



Dimensions • Weights

Rod Size	A	B	C	D	Max. Rec. Load Lbs.*	Approx. Wt./100
3/8	10	8	9/16	3/4	610	1155
1/2	10	8	9/16	3/4	1130	1160
5/8	10	8	9/16	3/2	1810	1505
3/4	10	8	11/16	35/8	2710	1605
7/8	10	8	11/16	43/4	3770	1665
1	12	8	13/16	51/4	4960	3485
11/4	12	8	15/16	53/4	8000	3865
11/2	12	8	11/8	71/2	11630	5635
13/4	14	10	13/8	9	15700	8805
2	14	10	13/8	91/2	20700	9215

* Based on allowable stresses shown in the ANSI code for pressure piping.