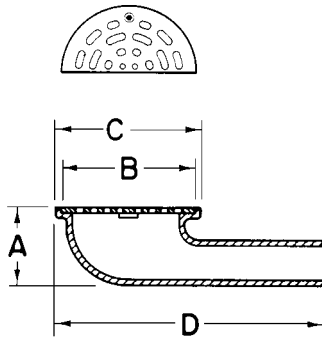




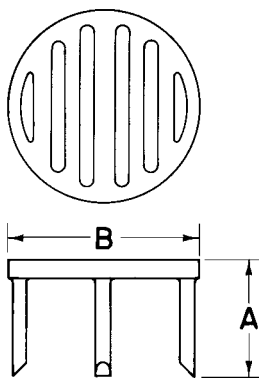
DRAINS, BAR GRATES & VENT CAPS



SERIES 400 SIDE OUTLET AREA DRAIN

Furnished in Cast Iron Spigot outlet with **vandal proof Cast Iron Strainer**. Fits **TY-SEAL** gasket or can be joined with **Tyler No-Hub Coupling**

Ship Code	UPCode 670610	Outlet	Height A	Strainer B	Top C	Length D	Wt.
S	028772	2	3½	6¾	7¾	14	10.3
S	028796	3	5½	8⅞	10	16	18.6
S	028802	4	7	11	12	17	27.5

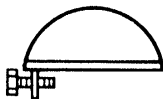


SERIES 547 BAR GRATE with LEGS

Serves as simple drain used in soil pipe hub openings

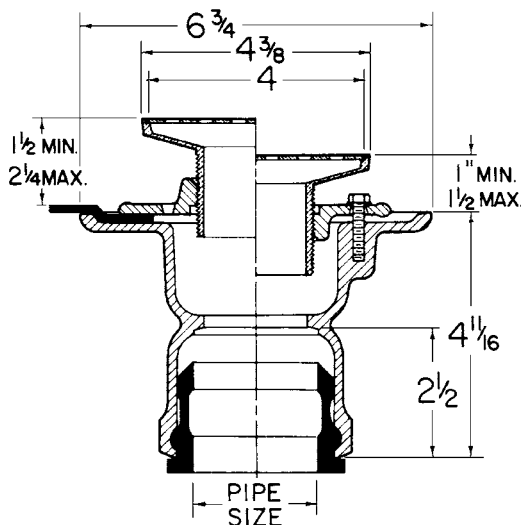
Ship Code	UPCode 670610	Fits Hub	A	B	Weight
S	027195	2	2.5	3	1.0
S	027218	3	2.7	3⅞	2.0
S	027232	4	3.0	4⅞	2.5
S	027256	6	3.0	6¾	4.0
S	027270	8	3.5	9¼	8.0

VENT CAP W/SET SCREW



Ship Code	UPCode 670610	Fits Spigot	Wt.
N	014584	3	4
N	014591	4	4

SERIES 697-TY PUSH ON SHOWER DRAIN For Composite



Cast Iron Body

Bolted **Clamping Ring** to permit usage with thick flashing materials, reversible for extra height
Collar contains **Weep Holes** for supplemental drainage
Adjustable **Stainless Steel Strainer**

PUSH-ON

Gasket connection to SV, No-Hub or PVC

Ship Code	UPCode 670610	Pipe Size	Outlet	Weight
S	027485	2	TY	8.0