

Fig. 22 - Hanger for CPVC Plastic Pipe Single Fastener Strap Type



Size Range — 3/4" thru 2" CPVC pipe

Material — Pre-Galvanized Steel

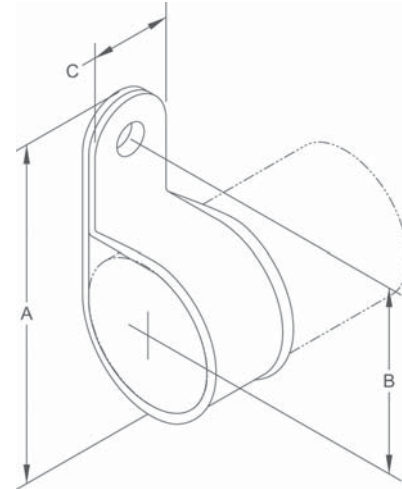
Function — Intended to perform as a hanger to support CPVC piping used in automatic fire sprinkler systems. The product acts as a hanger when tab is upward and the fastener screw is in the horizontal position. Figure 22 can be installed on the top of a beam, but in this situation acts as a guide to the piping which is supported by the beam itself. It is not intended to support CPVC pipe from under a flat horizontal surface, such as a ceiling.

Approvals — Underwriters' Laboratories Listed in the USA (**UL**) and Canada (**cUL**) to support fire sprinkler piping. May be installed in wood using fasteners supplied with product, or into minimum 20 gauge steel using (1) 1/4" x 1" tek type screw. Meets and exceeds the requirements of NFPA 13, 13R and 13D.

Features — Fig. 22 incorporates features which protect the pipe and ease installation. The flared edge design protects CPVC pipe from any rough surface. It is easily attached to the building structure using the special UL Listed hex head self threading screw* furnished with the product. It is recommended that rechargeable electric drills fitted with a hex socket attachment to be used as installation tools. No impact tools (such as a hammer) are allowed. Damage has been known to result from installations using impact type tools. No pre-drilling of a pilot hole in wood is required.

Finish — Pre-Galvanized

Order By — Figure number and CPVC pipe size.



* Hardened hex head self threading screw is furnished with the product and is the minimum fastener size acceptable.

Dimensions • Weights

CPVC Pipe Size	A	B	C	Max. Hanger Spacing (Ft.)	Fastener Hex Head Size	Approx. Wt./100
3/4	27/16	15/16	13/16	5½	5/16	9
1	211/16	17/16	13/16	6	5/16	9
1¼	31/16	15/8	13/16	6½	5/16	11
1½	35/16	1¾	13/16	7	5/16	12
2	3¾	21/8	13/16	8	5/16	15