

## Fig. 34 - Concrete Clevis Plate with Pin

 Component of State of  
 California OSHPD Approved  
 Seismic Restraints System

**Size Range** — 3/8" thru 2" rod

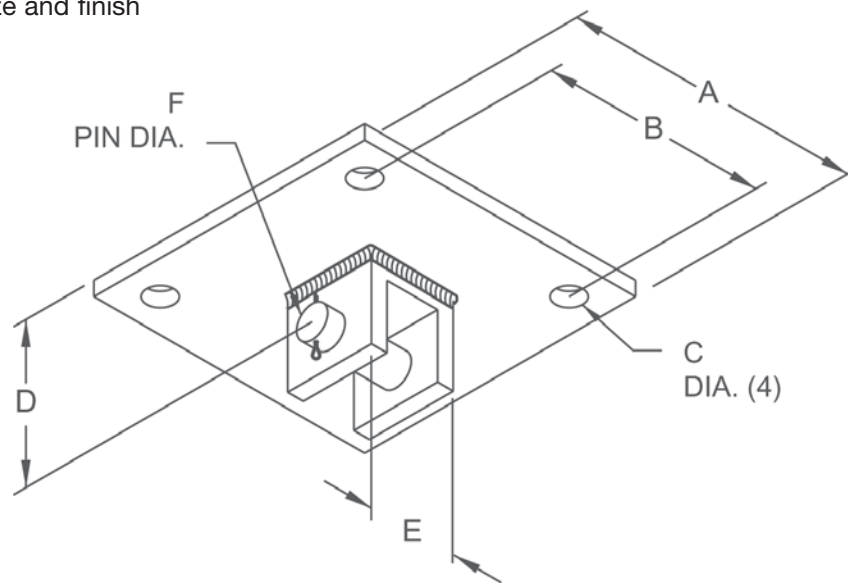
**Material** — Carbon Steel

**Function** — Structural attachment to concrete ceiling where flexibility is desired. (Use with Fig. 330 Weldless Eye Nut, Fig. 102 Eye Rod or Fig. 101 Welded Eye Rod.)

**Finish** — Plain

**Note** — Available in Electro-Galvanized and HDG finish or Stainless Steel materials.

**Order By** — Figure number, rod size and finish



### Dimensions • Weights

Rod Size	A	B	C	D	E	Pin Dia. F	Max. Rec. Load Lbs.*	Approx. Wt./100
3/8	10	8	9/16	2 <sup>3</sup> / <sub>8</sub>	1 <sup>3</sup> / <sub>4</sub>	1/2	610	1175
1/2	10	8	9/16	2 <sup>3</sup> / <sub>8</sub>	1 <sup>3</sup> / <sub>4</sub>	5/8	1130	1185
5/8	10	8	9/16	2 <sup>1</sup> / <sub>2</sub>	1 <sup>3</sup> / <sub>4</sub>	3/4	1810	1565
3/4	10	8	11/16	2 <sup>1</sup> / <sub>2</sub>	2 <sup>1</sup> / <sub>4</sub>	7/8	2710	1685
7/8	10	8	11/16	3 <sup>1</sup> / <sub>2</sub>	2 <sup>3</sup> / <sub>4</sub>	1	3770	1805
1	12	8	13/16	3 <sup>3</sup> / <sub>4</sub>	3	1 <sup>1</sup> / <sub>8</sub>	4960	3685
1 <sup>1</sup> / <sub>4</sub>	12	8	15/16	3 <sup>3</sup> / <sub>4</sub>	3 <sup>3</sup> / <sub>4</sub>	1 <sup>3</sup> / <sub>8</sub>	8000	4085
1 <sup>1</sup> / <sub>2</sub>	12	8	1 <sup>1</sup> / <sub>8</sub>	5	4 <sup>1</sup> / <sub>2</sub>	1 <sup>5</sup> / <sub>8</sub>	11630	5975
1 <sup>3</sup> / <sub>4</sub>	14	10	1 <sup>3</sup> / <sub>8</sub>	5 <sup>1</sup> / <sub>4</sub>	5 <sup>1</sup> / <sub>4</sub>	1 <sup>7</sup> / <sub>8</sub>	15700	9355
2	14	10	1 <sup>3</sup> / <sub>8</sub>	5 <sup>1</sup> / <sub>4</sub>	5 <sup>1</sup> / <sub>4</sub>	2 <sup>1</sup> / <sub>4</sub>	20700	10000

\* Based on allowable stresses shown in the ANSI code for pressure piping.