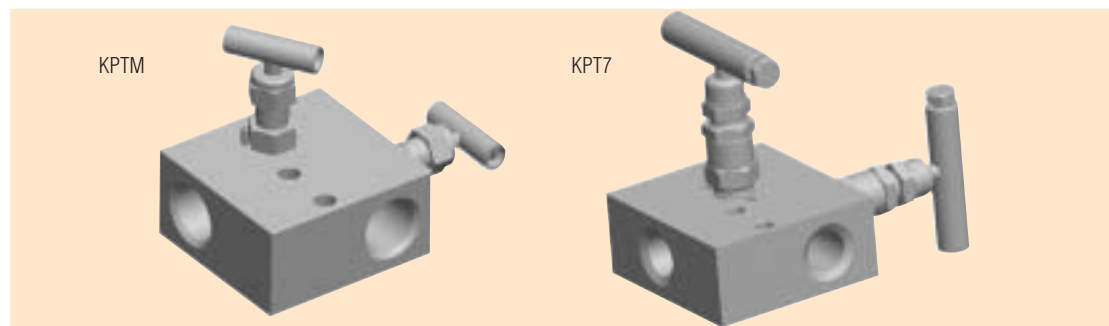


Kerotest KPTM & KPT7 2-Valve Static Pressure Manifolds



Product Brief

The KPT two-valve manifolds are used primarily to calibrate static pressure transmitters, switches or gauges. All necessary hardware including a shutoff valve, calibration valve, tee and other tubing are all contained in one product. The KPT series of manifolds are available with either replaceable soft seats or an integral metal seat. The KPTM manifold includes a special valve seat that can be converted from a hard or metal seat to a soft seat by simply removing two washers. The KPT7 manifold is intended for high temperature applications. It has an integral metal seat.

Features/Benefits

- **Bubble-tight shutoff.** Every valve is 100% tested.
- **Space-saving design.** One compact valve replaces two. Fewer connections means less leak paths means **less fugitive emissions.**
- **Cost-saving design.** Less parts means lower cost in the order of 20-30% compared to conventional two-valve installation.
- **Stem threads isolated** from the process fluid, eliminating process fluid contamination, lubricant washout and thread corrosion.
- **Mirror finish stems** enable smooth stem operation and extended packing life.
- **Rolled threads** on the stem and in the bonnet increase strength, reduce galling and extend the service life of the valve.
- **Adjustable packing** adjusts easily, increasing valve life and reducing downtime for packing replacement.
- **Multiple packing options** available including Teflon® and GRAFOIL®.

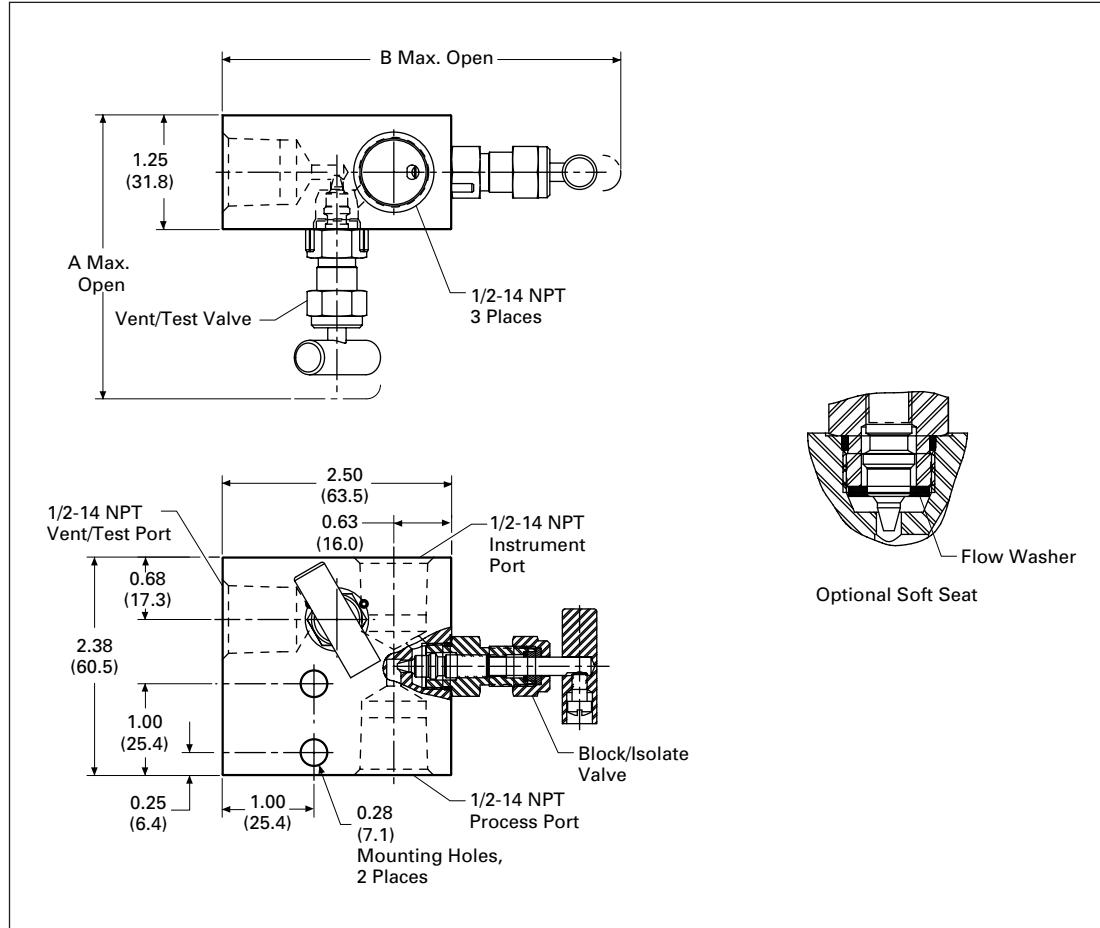


An Employee Owned Total Quality Management Company

Kerotest KPTM & KPT7 2-Valve Static Pressure Manifolds

Specifications

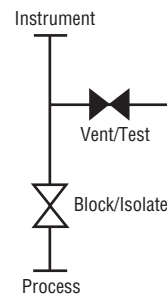
KPTM Dimensions in Inches (mm)



Dimensions in Inches (mm)

Packing	A	B
O-ring	2.50 (63.5)	3.75 (95.3)
Teflon	3.10 (78.7)	4.35 (110.5)

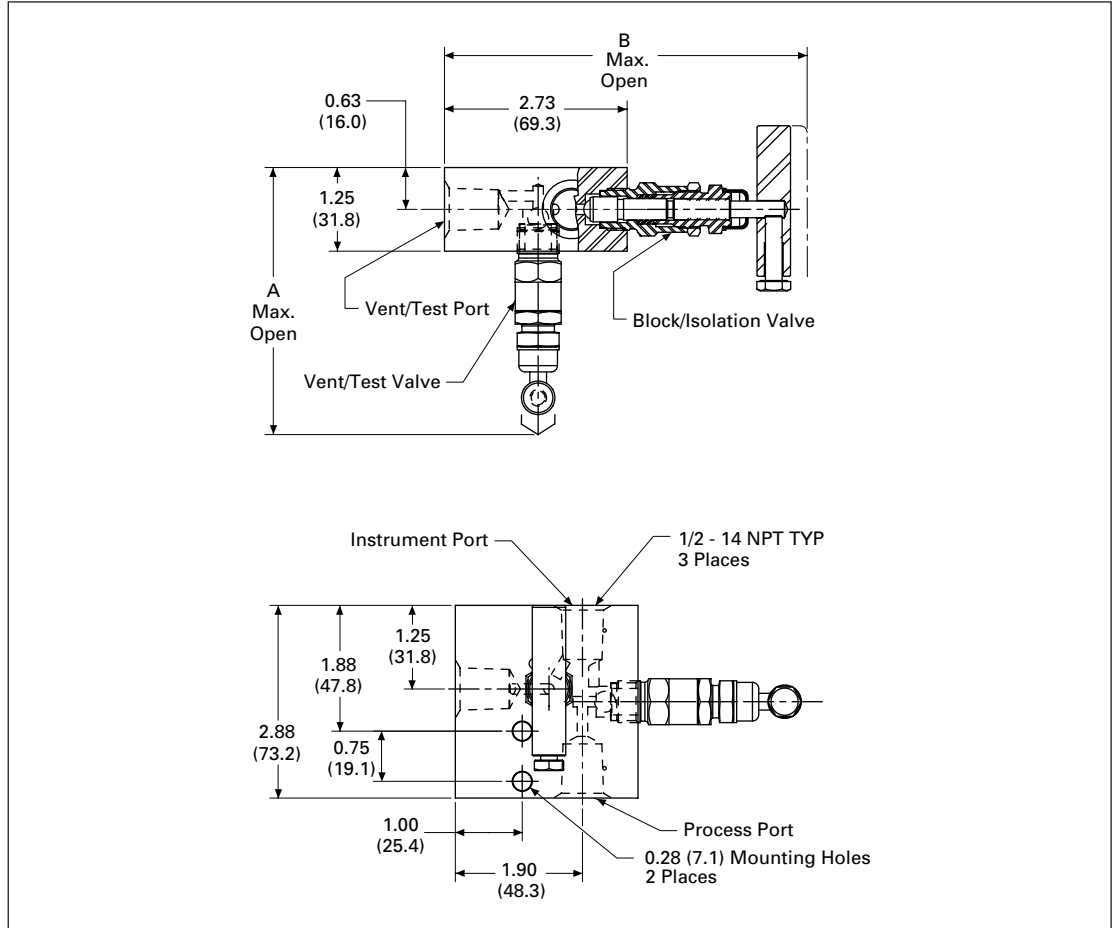
Note: Approximate valve weight: 2.0 lb (0.9 kg).
 Metal Seat: 0.136-inch (3.5 mm) diameter orifice.
 Cv = .25, full open.
 Soft Seat: 0.136-inch (3.5 mm) diameter orifice.
 Cv = .24, full open.



Kerotest KPTM & KPT7 2-Valve Static Pressure Manifolds

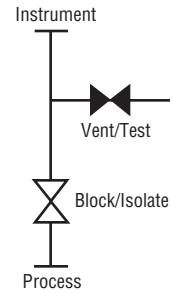
Specifications

KPT7 Dimensions in Inches (mm)



Dimensions in Inches (mm)

Packing	A	B
Teflon	3.85 (97.8)	5.33 (135.4)
GRAFOIL	4.50 (114.3)	5.98 (151.9)



Kerotest KPTM & KPT7 2-Valve Static Pressure Manifolds

Standard Materials

Valve ①	Body	Bonnet	Stem	Ball	Packing
CS ②	A105	A108	A581-303	17-4 PH	Teflon
CS ②	A105	A105	A581-303	17-4 PH	GRAFOIL/Low Emissions Graphite
SS	SS, A479-316	SS, A479-316	A276-316	316	Teflon
SS	SS, A479-316	SS, A479-316	A276-316	316	GRAFOIL/Low Emissions Graphite
SG ③	SS, A479-316	SS, A479-316	Monel® 400	Monel K500	Teflon
SG ③	SS, A479-316	SS, A479-316	Monel 400	Monel K500	GRAFOIL/Low Emissions Graphite
SG3 ④	Hastelloy® C276	Hastelloy C276	Hastelloy C276	Stellite	Teflon

- ① Approximate valve weight: 3.0 lb (1.4 kg)
0.187-inch (4.8 mm) diameter orifice.
Cv = .52, full open.
- ② CS is zinc cobalt-plated to prevent corrosion.
- ③ SG (Sour Gas) meets the requirements of NACE MR0175-2002.
- ④ SG3 (Sour Gas) meets the requirements of NACE MR0175-2003.

Pressure and Temperature Ratings – KPTM

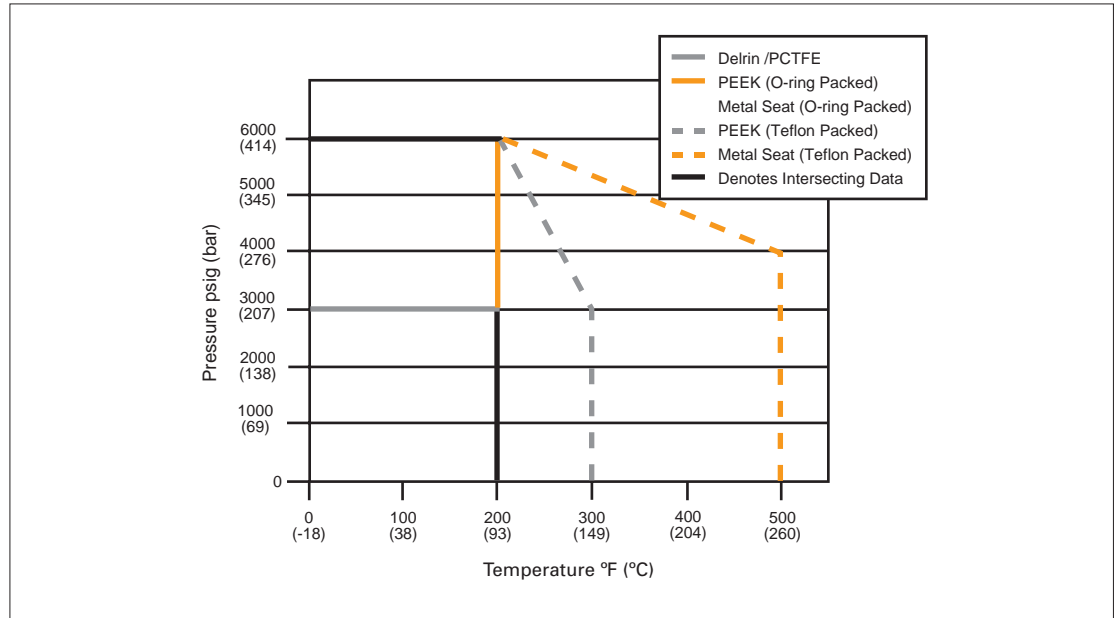
Packing	PCTFE/Delrin® Seat	PEEK Seat	Metal Seat
Teflon	3000 psig @ 200°F (207 bar @ 93°C)	6000 psig @ 200°F (414 bar @ 93°C) 3000 psig @ 300°F (207 bar @ 149°C)	6000 psig @ 200°F (414 bar @ 93°C) 4000 psig @ 500°F (276 bar @ 260°C)
O-ring	3000 psig @ 200°F (207 bar @ 93°C)	6000 psig @ 200°F (414 bar @ 93°C)	6000 psig @ 200°F (414 bar @ 93°C)

Pressure and Temperature Ratings – KPT7

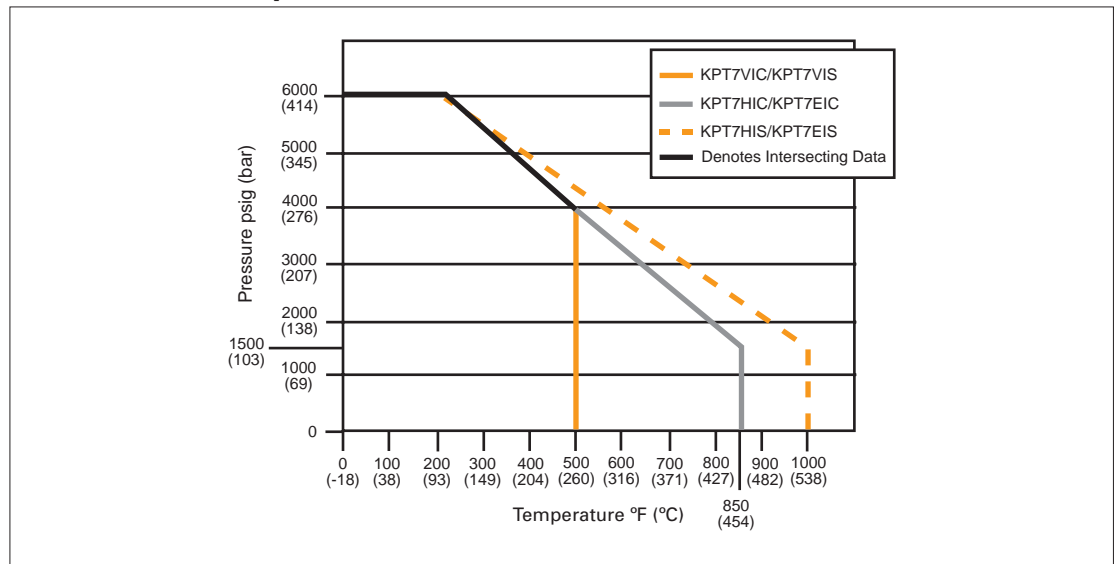
Valve	Packing	Ratings
CS	Teflon	6000 psig @ 200°F (414 bar @ 93°C) 4000 psig @ 500°F (276 bar @ 260°C)
CS	GRAFOIL/Low Emissions Graphite	6000 psig @ 200°F (414 bar @ 93°C) 1500 psig @ 850°F (103 bar @ 454°C)
SS	Teflon	6000 psig @ 200°F (414 bar @ 93°C) 4000 psig @ 500°F (276 bar @ 260°C)
SS	GRAFOIL/Low Emissions Graphite	6000 psig @ 200°F (414 bar @ 93°C) 1500 psig @ 1000°F (103 bar @ 538°C)
SG SG3	Teflon	6000 psig @ 200°F (414 bar @ 93°C) 4000 psig @ 500°F (276 bar @ 260°C)
SG SG3	GRAFOIL/Low Emissions Graphite	6000 psig @ 200°F (414 bar @ 93°C) 1500 psig @ 1000°F (103 bar @ 538°C)

Kerotest KPTM & KPT7 2-Valve Static Pressure Manifolds

Pressure vs. Temperature – KPTM



Pressure vs. Temperature – KPT7



Kerotest KPTM & KPT7 2-Valve Static Pressure Manifolds

Ordering Information

KPTM V D S - 4 - SG
1. 2. 3. 4. 5.

1. Bonnet Packing

V – Teflon
R – O-ring (SS - Viton, CS - BUNA-N) (Soft Seat Only)

2. Seat Material

D – Delrin (Standard)
K – PCTFE
E – PEEK
I – Integral (Body Material)

3. Body Material

C – A108
S – A479-316 SS
M – Monel 400
W – 316L SS
J – Hastelloy

4. Connections

4 – 1/2-Inch FNPT

5. Options

AL – Low Temperature Lubricant (Low Temperature Service) Not Available for CS Valves
AM – KMC Mount Kit for 2-Inch Pipe Mounting of Manifold
CL – Cleaned for Chlorine Service
OC – Cleaned for Oxygen Service
HD – Hydrostatic Testing (100%) (MSS-SP-61)
MS – Monel Stem
PHB – Phenolic Black Handle
PHG – Phenolic Green Handle
PHR – Phenolic Red Handle
PM – Panel Mount

PV – Plug Vent
SG – Sour Gas Meets the Requirements of NACE MR0175-2002 (SS Valves Only) (Not Available for O-ring Packed Valves)
SG3 – Sour Gas Meets the Requirements of NACE MR0175-2003
SP – Special Requirements – Please Specify

Kerotest KPTM & KPT7 2-Valve Static Pressure Manifolds

Ordering Information

KPT7 V I S - 4 - SG
1. 2. 3. 4. 5.

1. Bonnet Packing

V – Teflon
H – GRAFOIL
E – Low Emissions Graphite

2. Seat Material

I – Integral (Body Material)

3. Body Material

C – A105
S – A479-316 SS
W – 316L SS
J – Hastelloy

4. Connections

4 – 1/2-Inch FNPT

5. Options

AL – Low Temperature Lubricant
(Low Temperature Service)
Now Available for CS Valves
AM – KMC Mount Kit for 2-Inch
Pipe Mounting of Manifold
CL – Cleaned for Chlorine Service
OC – Cleaned for Oxygen Service
HD – Hydrostatic Testing (100%)
(MSS-SP-61)
MS – Monel Stem

PO – Plug Option
SG – Sour Gas Meets the
Requirements of NACE
MR0175-2002 (SS Valves
Only) (Not Available for O-ring
Packed Valves)
SG3 – Sour Gas Meets the
Requirements of NACE
MR0175-2003
SP – Special Requirements –
Please Specify

Kerotest KPTM & KPT7 2-Valve Static Pressure Manifolds

Ordering Information – ASME B31.1

KPT7MHP **S** – **4** – **XP** – **SP**
 1. 2. 3.

1. Body Material

C – A105
S – A479-316 SS
J – Hastelloy

2. Connections (Process x Instrument x Vent)

3 – 3/8-Inch FNPT x 3/8-Inch
 FNPT x 3/8-Inch FNPT
3TC – 3/8-Inch Tube Stub (6 x
 0.065 Inches) – All
 Connections
3TC4 – 3/8 Inch Tube Stub (6 x
 0.065 Inches) x 3/8-Inch
 Tube Stub x 1/2-Inch FNPT

3TC44 – 3/8-Inch Tube Stub
 (6 x 0.065 Inches) x
 1/2-Inch FNPT x 1/2-Inch
 FNPT

4 – 1/2-Inch FNPT x 1/2-Inch
 FNPT x 1/2-Inch FNPT

422 – 1/2-Inch FNPT x 1/4-Inch
 FNPT x 1/4-Inch FNPT

442 – 1/2-Inch FNPT x 1/2-Inch
 FNPT x 1/4-Inch FNPT

4B2 – 1/2-Inch PSW x 1/4-Inch
 FNPT x 1/4-Inch FNPT

4TC4 – 1/2-Inch Tube Stub (6 x
 0.095 Inches) x 1/2-Inch
 Tube Stub x 1/2-Inch FNPT

4TC44 – 1/2-Inch Tube Stub (6 x
 0.095 Inches) x 1/2-Inch
 FNPT x 1/2-Inch FNPT

3. Options

AM – KMC Mount Kit for 2-Inch
 Pipe Mounting of Manifold

PO – Plug Outlet

SP – Special Requirements –
 Please Specify

Note: All Manifolds come standard with GRAFOIL packing, integral seats, bonnet locks, and are subjected to hydrostatic testing. KPT7M ASME B31.1 and B31.3 Specifications meet MSS-SP-105.

Manifold ratings:

SST	6000 psig @ 100°F (414 bar @ 38°C)	2915 psig @ 1000°F (201 bar @ 538°C)
STL	6170 psig @ 100°F (425 bar @ 38°C)	3430 psig @ 800°F (236 bar @ 427°C)
Monel	5000 psig @ 100°F (345 bar @ 38°C)	2911 psig @ 900°F (201 bar @ 482°C)

All product names referenced herein are trademarks of their respective companies.

Kerotest Manufacturing Corp.

5500 Second Avenue, Pittsburgh, PA 15207

(412) 521-7688 FAX: (412) 521-7853

email: sales@kerotest.com

www.kerotest.com