

Fig. 58 - Threaded Side Beam Bracket

Size Range — 3/8" rod, pipe sizes 1/2" thru 4"

Material — Pre-Galvanized Steel

Function — Practical and economical bracket used to support piping from wood, concrete or steel beams.

Features — Unique design allows rod to be easily threaded into bracket. Offset design permits unlimited rod adjustment. Center mounting hole will accept 3/8" and 1/2" fastener bolts. Per NFPA 13: 1/2" thru 2" pipe requires 3/8" fastener, 2 1/2" thru 4" pipe requires 1/2" fastener.*

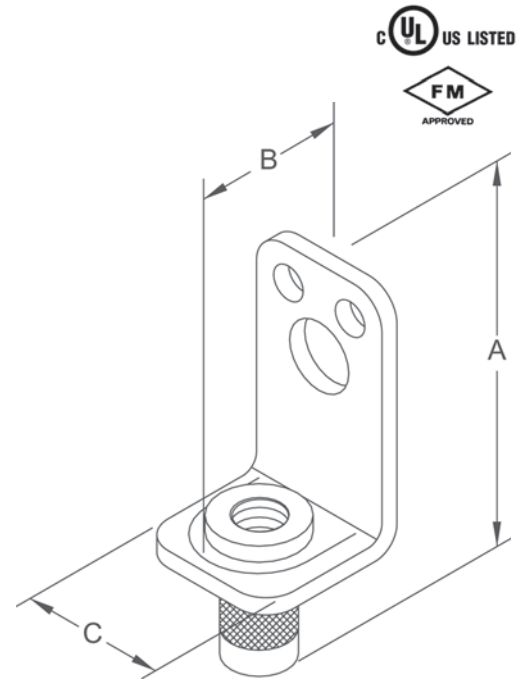
Approvals — Underwriters' Laboratories Listed in the USA (**UL**) and Canada (**cUL**), and Factory Mutual Engineering approved thru 4" pipe.

***Note** — Additionally **UL** has listed the Fig. 58 with fasteners as shown in table below.

Finish — Plain

Note — Available in Electro-Galvanized finish.

Order By — Figure number and finish



UL Listed Fastener Table

Pipe Size	Qty.	Fastener Type	Material
2	2	#16 x 2 Drive Screws	Wood
2	1	3/8 Lag Bolt	Wood
2 1/2 - 4	1	1/2 Lag Bolt	Wood
3 1/2	2	1/4 x 1 1/2 Lag Bolt	Wood
4	2	1/4 x 2 Lag Bolts*	Wood
4	2	1/4 x 1 tek screws	14 gauge
4	2	1/4 x 1 tek screws	16 gauge

* No pre-drilling required

Dimensions • Weights

Pipe Size	Rod Size	A	B	C	Max. Rec. Load Lbs.*	Approx. Wt./100
1/2 thru 4	3/8	2 3/4	1 1/2	1 1/8	300	14

* With safety factor of 5.

