

## Fig. 314 - Flange Support

**Size Range** — Size 4" thru 36" pipe

**Material** — Carbon Steel

**Function** — Designed to support 125 lb. cast iron and 150 lb. forged steel flanged connections. (Consult factory for other flanged bolt patterns). To complete floor stanchion, use Fig. 316 Stand Pipe. For complete floor stanchion with vertical adjustment, use Fig. 319 Threaded Pipe with Adjuster and Fig. 316T Threaded Pipe Stand.

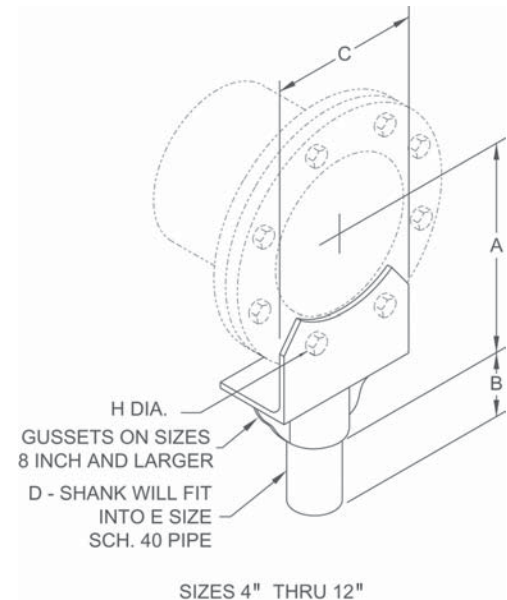
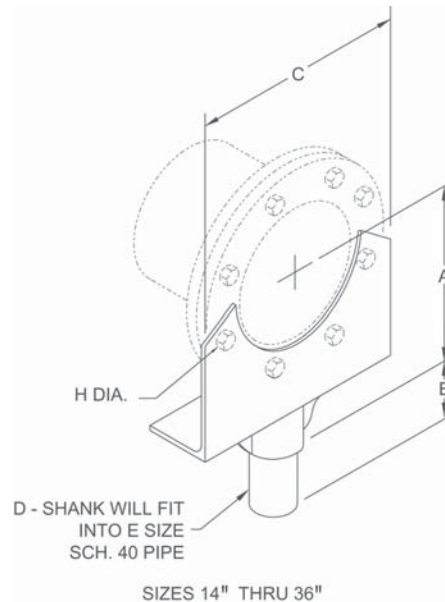
**Approvals** — Conforms to Federal Specification WW-H-171E, Type 38, 4" thru 36" and Manufacturers Standardization Society SP-69, Type 37.

**Maximum Temperature** — 750°F

**Finish** — Plain

**Note** — Available in Electro-Galvanized and HDG finish or Stainless Steel materials.

**Order By** — Figure number, pipe size and finish



### Dimensions

Pipe Size	A	B	C	D	E	H
4	6 <sup>7</sup> / <sub>8</sub>	2	6 <sup>3</sup> / <sub>8</sub>	2 <sup>3</sup> / <sub>8</sub>	2 <sup>1</sup> / <sub>2</sub>	3/4
5	7 <sup>3</sup> / <sub>8</sub>	2	7 <sup>1</sup> / <sub>16</sub>	2 <sup>3</sup> / <sub>8</sub>	2 <sup>1</sup> / <sub>2</sub>	7/8
6	7 <sup>7</sup> / <sub>8</sub>	2	7 <sup>3</sup> / <sub>4</sub>	2 <sup>3</sup> / <sub>8</sub>	2 <sup>1</sup> / <sub>2</sub>	7/8
8	10 <sup>1</sup> / <sub>8</sub>	2	9 <sup>9</sup> / <sub>16</sub>	2 <sup>3</sup> / <sub>8</sub>	2 <sup>1</sup> / <sub>2</sub>	7/8
10	11 <sup>3</sup> / <sub>8</sub>	2	8	2 <sup>3</sup> / <sub>8</sub>	2 <sup>1</sup> / <sub>2</sub>	1
12	12 <sup>7</sup> / <sub>8</sub>	3	9 <sup>1</sup> / <sub>2</sub>	2 <sup>3</sup> / <sub>8</sub>	2 <sup>1</sup> / <sub>2</sub>	1
14	15	3	18 <sup>3</sup> / <sub>16</sub>	2 <sup>7</sup> / <sub>8</sub>	3	1 <sup>1</sup> / <sub>8</sub>
16	16 <sup>1</sup> / <sub>4</sub>	3	16 <sup>5</sup> / <sub>8</sub>	2 <sup>7</sup> / <sub>8</sub>	3	1 <sup>1</sup> / <sub>8</sub>
18	18	4	17 <sup>11</sup> / <sub>16</sub>	3 <sup>3</sup> / <sub>4</sub>	4	1 <sup>1</sup> / <sub>4</sub>
20	19 <sup>1</sup> / <sub>4</sub>	4	15 <sup>3</sup> / <sub>4</sub>	3 <sup>3</sup> / <sub>4</sub>	4	1 <sup>1</sup> / <sub>4</sub>
22	20 <sup>1</sup> / <sub>4</sub>	4	16 <sup>5</sup> / <sub>16</sub>	3 <sup>3</sup> / <sub>4</sub>	4	1 <sup>3</sup> / <sub>8</sub>
24	22 <sup>1</sup> / <sub>2</sub>	4	18 <sup>3</sup> / <sub>8</sub>	3 <sup>3</sup> / <sub>4</sub>	4	1 <sup>3</sup> / <sub>8</sub>
26	23 <sup>3</sup> / <sub>8</sub>	4	17 <sup>1</sup> / <sub>8</sub>	3 <sup>3</sup> / <sub>4</sub>	4	1 <sup>3</sup> / <sub>8</sub>
30	25 <sup>7</sup> / <sub>8</sub>	4	16 <sup>3</sup> / <sub>8</sub>	3 <sup>3</sup> / <sub>4</sub>	4	1 <sup>3</sup> / <sub>8</sub>
32	27 <sup>3</sup> / <sub>8</sub>	4	17 <sup>5</sup> / <sub>8</sub>	3 <sup>3</sup> / <sub>4</sub>	4	1 <sup>5</sup> / <sub>8</sub>
36	29 <sup>1</sup> / <sub>2</sub>	4	17 <sup>1</sup> / <sub>2</sub>	3 <sup>3</sup> / <sub>4</sub>	4	1 <sup>5</sup> / <sub>8</sub>