



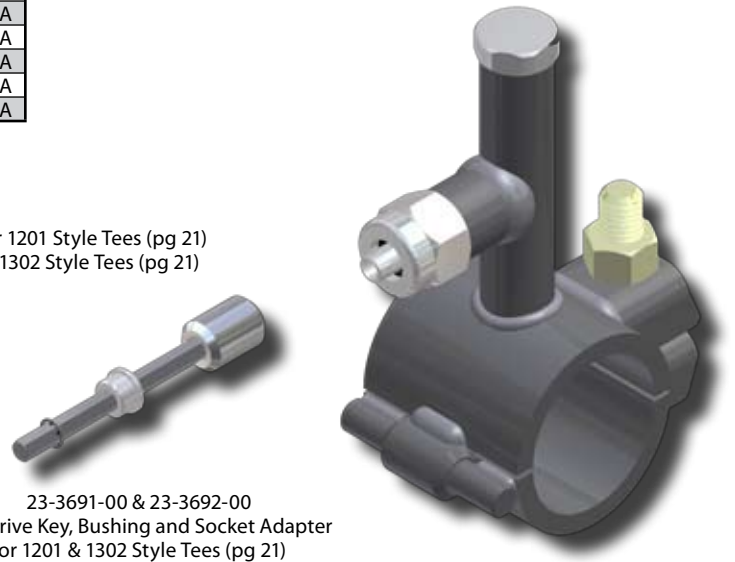
SADDLE PUNCH TEES

1201 & 1302 STYLE STEEL SERVICE SADDLE PUNCH TEES PE Compression Outlets

OUTLET	WALL	Body Size	IPS Main Size	PUNCH SIZE	PART NUMBER	
1/2" CTS (5/8" OD)	.090	1/2"	3/4"	3/8" CR	1201-13-1004-00	
		3/4"			1302-13-1004-00	
		1/2"	1"	3/8" CR	1201-14-1004-00	
		3/4"			1302-14-1004-00	
		1/2"	1 1/4"	3/8" CR	1201-15-1004-00	
		3/4"			1302-15-1004-00	
		1/2"	1 1/2"	3/8" CR	1201-16-1004-00	
		3/4"			1302-16-1004-00	
		1/2"	2"	3/8" CR	1201-17-1004-00	
		3/4"			1302-17-1004-00	
		1/2"	3"	3/8" CR	1201-19-1004-00	
		3/4"			1302-19-1004-00	
1/2"	4"	3/8" CR	1201-21-1004-00			
3/4"			1302-21-1004-00			
1/2"	6"	3/8" CR	1201-24-1004-00			
3/4"			1302-24-1004-00			
1" CTS (1 1/8" OD)	.099/.101	1/2"	3/4"	3/8" CR	1201-13-1008-00	
		3/4"			1302-13-1008-00	
		1/2"	1"	3/8" CR	1201-14-1008-00	
		3/4"			1302-14-1008-00	
		1/2"	1 1/4"	3/8" CR	1201-15-1008-00	
		3/4"			1302-15-1008-00	
		1/2"	1 1/2"	3/8" CR	1201-16-1008-00	
		3/4"			1302-16-1008-00	
		1/2"	2"	3/8" CR	1201-17-1008-00	
		3/4"			1302-17-1008-00	
		1/2"	3"	3/8" CR	1201-19-1008-00	
		3/4"			1302-19-1008-00	
	1/2"	4"	3/8" CR	1201-21-1008-00		
	3/4"			1302-21-1008-00		
	1/2"	6"	3/8" CR	1201-24-1008-00		
	3/4"			1302-24-1008-00		
	.090	.090	1/2"	3/4"	3/8" CR	1201-13-1008-0A
			3/4"			1302-13-1008-0A
			1/2"	1"	3/8" CR	1201-14-1008-0A
			3/4"			1302-14-1008-0A
			1/2"	1 1/4"	3/8" CR	1201-15-1008-0A
			3/4"			1302-15-1008-0A
			1/2"	1 1/2"	3/8" CR	1201-16-1008-0A
			3/4"			1302-16-1008-0A
1/2"			2"	3/8" CR	1201-17-1008-0A	
3/4"					1302-17-1008-0A	
1/2"			3"	3/8" CR	1201-19-1008-0A	
3/4"					1302-19-1008-0A	
1/2"	4"	3/8" CR	1201-21-1008-0A			
3/4"			1302-21-1008-0A			
1/2"	6"	3/8" CR	1201-24-1008-0A			
3/4"			1302-24-1008-0A			

OUTLET	WALL	Body Size	IPS Main Size	PUNCH SIZE	PART NUMBER
1/2" IPS	SDR-9.33 (.090)	1/2"	3/4"	3/8" CR	1201-13-1012-00
		3/4"			1302-13-1012-00
		1/2"	1"	3/8" CR	1201-14-1012-00
		3/4"			1302-14-1012-00
		1/2"	1 1/4"	3/8" CR	1201-15-1012-00
		3/4"			1302-15-1012-00
		1/2"	1 1/2"	3/8" CR	1201-16-1012-00
		3/4"			1302-16-1012-00
		1/2"	2"	3/8" CR	1201-17-1012-00
		3/4"			1302-17-1012-00
		1/2"	3"	3/8" CR	1201-19-1012-00
		3/4"			1302-19-1012-00
1/2"	4"	3/8" CR	1201-21-1012-00		
3/4"			1302-21-1012-00		
1/2"	6"	3/8" CR	1201-24-1012-00		
3/4"			1302-24-1012-00		
3/4" IPS	SDR-11 (.095)	1/2"	3/4"	3/8" CR	1201-13-1013-00
		3/4"			1302-13-1013-00
		1/2"	1"	3/8" CR	1201-14-1013-00
		3/4"			1302-14-1013-00
		1/2"	1 1/4"	3/8" CR	1201-15-1013-00
		3/4"			1302-15-1013-00
		1/2"	1 1/2"	3/8" CR	1201-16-1013-00
		3/4"			1302-16-1013-00
		1/2"	2"	3/8" CR	1201-17-1013-00
		3/4"			1302-17-1013-00
		1/2"	3"	3/8" CR	1201-19-1013-00
		3/4"			1302-19-1013-00
1/2"	4"	3/8" CR	1201-21-1013-00		
3/4"			1302-21-1013-00		
1/2"	6"	3/8" CR	1201-24-1013-00		
3/4"			1302-24-1013-00		
1" IPS	SDR-11 (.119)	3/4"	3/4"	3/8" CR	1302-13-1014-00
		3/4"	1"	3/8" CR	1302-14-1014-00
		3/4"	1 1/4"	3/8" CR	1302-15-1014-00
		3/4"	1 1/2"	3/8" CR	1302-16-1014-00
		3/4"	2"	3/8" CR	1302-17-1014-00
		3/4"	3"	3/8" CR	1302-19-1014-00
		3/4"	4"	3/8" CR	1302-21-1014-00
		3/4"	6"	3/8" CR	1302-24-1014-00

- For sizes not listed, contact Continental Industries.
- PE Compression Outlets rated at 125 psig.
- For optional punch sizes, see page 20.
- Recommended accessories;
 - 23-3691-00 ~ 5/16" Hex Drive Key, Bushing and Socket Adapter for 1201 Style Tees (pg 21)
 - 23-3692-00 ~ 3/8" Hex Drive Key, Bushing and Socket Adapter for 1302 Style Tees (pg 21)
 - 23-1644-00 ~ Test Plug Adapter for 1201 Style Tees (pg 21)
 - 23-1645-00 ~ Test Plug Adapter for 1302 Style Tees (pg 21)
- For Protective Sleeves, see page 26.
- For additional Accessories, see page 21.



23-3691-00 & 23-3692-00
Hex Drive Key, Bushing and Socket Adapter
for 1201 & 1302 Style Tees (pg 21)